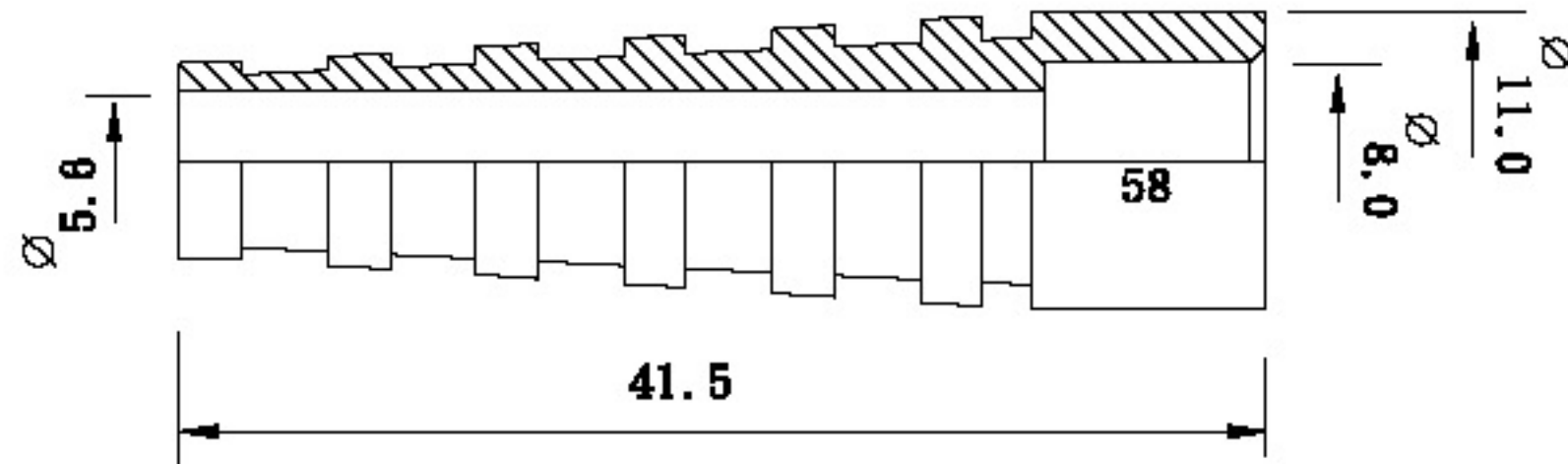


REVISIONS	
MBOL	DESCRIPTION/DATE



<p align="center"><b>CUSTOMER OUTLINE DRAWING</b></p> <p>Unless Otherwise Specified Tolerances Dimensions Are In Millimeters And For Customer Reference Only</p> <p align="center">0.5-8=+/-0.2 8-30=+/-0.4 30-120=+/-0.6 120-815=+/-1.0</p> <p align="center"></p>		Best No. 735221			
		Part: B-082-58-BLACK			
<p align="center">1 Body</p>		Title: BLACK COLOR CODED BOOT FOR RG/58U CABLE			
		Date: Jun/11/2009		Scale: 3:1	Unit: M/M
No	Description	Material	Finish	RF/Microwave Connectors Professional Manufacture	

1	Body	PVC	Black
No	Description	Material	Finish