




Product information STAK 4 grau/grey

Industrial Connecting Solutions:Rectangular Connectors:Power Connectors (ST series):Cable socket:STAK 4 grau/grey

<http://www.e-catalog.beldensolutions.com/link/57078-24228-256261-24351-24352-35736/en/conf/ui/state>

Name	STAK 4 grau/grey
	
	Cable socket with strain relief
Delivery informations	
Availability	available
Product description	
Description	Cable socket with strain relief
Type	STAK 4 grau/grey
Order No.	932 533-106
Type of contact	female
Number of contacts	4 + PE
Cable gland	PG 11
Cable diameter	6 mm to 10 mm
Conductor size	max. 1.5 mm ²
Housing Color	grey
Contact bearer color	black
Technical data	
Pin dimensions	2 mm
Rated voltage	AC 400 V / DC 250 V
Rated current	DC 10 A / AC 10 A
Contact resistance	<= 10 mOhm
Type of termination	screw
Material	
Contact material	Cu Zn
Contact surface material	Sn
Contact bearer material	PA
Housing material	PA
Environmental conditions	
Protection class (IEC 60529)	IP 54
Pollution severity	3
Temperature range	-30 °C to +90 °C
Inflammability class	
Housing	UL 94 HB
Contact bearer	UL 94 V-0
Approvals	
VDE	VDE
SEV	SEV
Packing unit	
Packaging unit	100 pieces



HIRSCHMANN

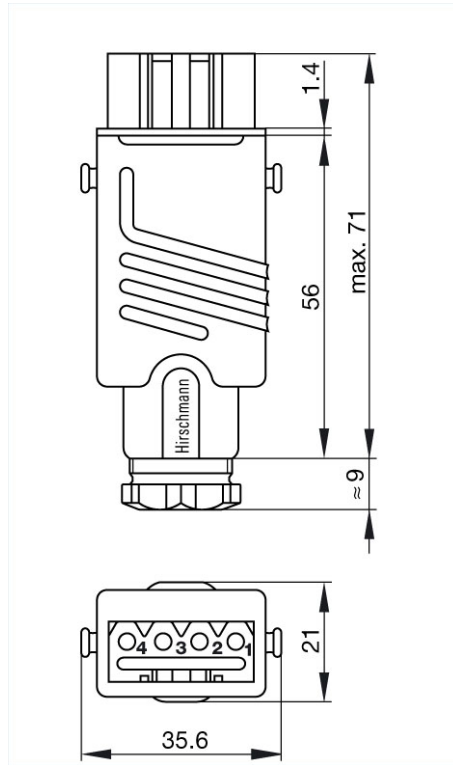
A BELDEN BRAND

Industrial Connecting Solutions:Rectangular Connectors:Power Connectors (ST series):Cable socket:STAK 4 grau/grey

<http://www.e-catalog.beldensolutions.com/link/57078-24228-256261-24351-24352-35736/en/conf/ui/state>

Picture

Drawing



Belden Deutschland GmbH

Im Gewerbepark 2

58579 Schalksmühle

Germany

Phone: +49 7127/14-1806

E-Mail: icos-sales@belden.com

The information published in the websites has been compiled as carefully as possible. It is subject to alteration without notice in technical as well as in price-related/commercial respect. The complete information and data were available on user documentation. Mandatory information can only be obtained by a concrete query.