




## Product information STAK 3 K 075 5m

Industrial Connecting Solutions:Rectangular Connectors:Power Connectors (ST series):Cable socket:STAK 3 K 075 5m

<http://www.e-catalog.beldensolutions.com/link/57078-24228-256261-24351-24352-35731/en/conf/ui/istate>

Name	STAK 3 K 075 5m
	
	Molded-on cable socket with harmonized lead (DIN VDE 0282)
<b>Delivery informations</b>	
Availability	available
<b>Product description</b>	
Description	Molded-on cable socket with harmonized lead (DIN VDE 0282)
Type	STAK 3 K 075 5m
Order No.	932 187-015
Other standard types	cable length 3,025 m: order no. 932 187-011; cable length 10 m: order no. 932 187-016
Type of contact	female
Number of contacts	3 + PE
Cable color	black
Cable length	5 m
Cable diameter	7.5 mm
Conductor size	0.75 mm <sup>2</sup>
Cable specification	4 x 0.75 mm <sup>2</sup>
Cable type	H05 RR-F4G 0,75
Housing Color	black
Contact bearer color	black
<b>Technical data</b>	
Pin dimensions	2 mm
Rated voltage	AC 400 V / DC 250 V
Rated current	DC 10 A / AC 10 A
Contact resistance	<= 5 mOhm
<b>Material</b>	
Contact material	Cu Zn
Contact surface material	Sn
Contact bearer material	PA
Housing material	PA
<b>Environmental conditions</b>	
Protection class (IEC 60529)	IP 54
Pollution severity	3
Temperature range	-30°C to +90°C (connector) / -25°C to +60°C (cable)
<b>Inflammability class</b>	
Housing	UL 94 HB
Cable	VDE 0472 part 804
Contact bearer	UL 94 V-0
<b>Approvals</b>	
VDE	VDE
SEV	SEV
<b>Packing unit</b>	
Packaging unit	40 pieces
<b>Scope of delivery and accessories</b>	
Accessories to order separately	safety brackets STASI 3, order no. 732 045-000



# HIRSCHMANN

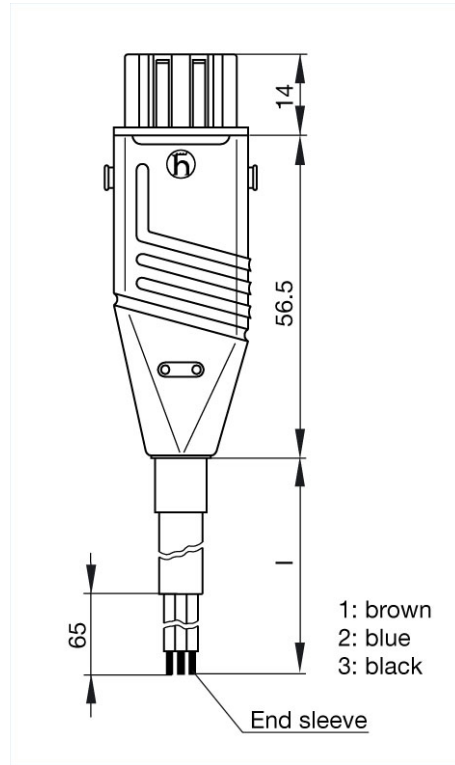
A BELDEN BRAND

Industrial Connecting Solutions:Rectangular Connectors:Power Connectors (ST series):Cable socket:STAK 3 K 075 5m

<http://www.e-catalog.beldensolutions.com/link/57078-24228-256261-24351-24352-35731/en/conf/ui/state>

Picture

Drawing



#### Belden Deutschland GmbH

Im Gewerbepark 2

58579 Schalksmühle

Germany

Phone: +49 7127/14-1806

E-Mail: [icos-sales@belden.com](mailto:icos-sales@belden.com)

The information published in the websites has been compiled as carefully as possible. It is subject to alteration without notice in technical as well as in price-related/commercial respect. The complete information and data were available on user documentation. Mandatory information can only be obtained by a concrete query.