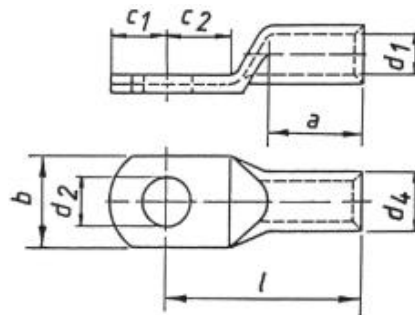


Datasheet Article 3 R/8

Tubular cable lug, standard type, 16 mm², for bolt size M 8



figure similar



A: Dimensions:

d ₁ :	5,5 mm	b :	15,0 mm
d ₄ :	8,5 mm	d ₂ :	8,5 mm
l :	29,0 mm	c ₁ :	8,5 mm
a :	13,0 mm	c ₂ :	9,5 mm

B: Material specification:

1 General

1.1 Material Cu

2 Condition

2.1 Surface

2.1.1 smooth, brightly, evenly, no tears,scoring, folds, blisters, no other defects

2.1.2 averaged roughness depth R_z max. 2µm

2.1.3 galvanically tined (3 – 5 µm) (optional bright, article number added with BK)