

CLIFF

Cliffcon® 8 Pole Connectors



8PC/C Protective Cover Assembly
(PART NO. CL2070)



8PC/P Screw (PART NO. CL2072)
8PC/PS Solder Tag (PART NO. CL2073)



8PC/S
(PART NO. CL2074)



8PC/S/PC
(PART NO. 20742)

The **CLIFF®** Cliffcon® 8 pole connectors are intended for any application where a reliable locking touch proof connector system is required. Incorporating a tough, durable construction with touch proof contacts to EN60065, IEC348 and EN61010-1, easy locking / unlocking mechanism and integral cable clamp, Cliffcon® is the ideal connector for many different applications such as lighting, chargers and instrumentation. Receptacles are available for panel and vertical PCB mounting. Line connectors are available right-angled.

Significant features include:

- Safety leading ground pin - makes first, breaks last to prevent damage from arcing if disconnected under load.
- FastOn® quick disconnect on panel mounting socket.
- Choice of flat head screw / washer or solder tag connections in cable plug.
- Integral Cable Clamp for 6mm to 15mm diameter cable.
- Panel mounting connector is airtight.
- Plug and socket mated meets IP55 minimum.

Cliff Electronic Components, Ltd.
76 Holmethorpe Avenue, Holmethorpe Ind. Est.
Redhill, Surrey RH1 2PF. England

Tel: +44 (0) 1737 771375
Fax: +44 (0) 1737 766012
Email: sales@cliffuk.co.uk

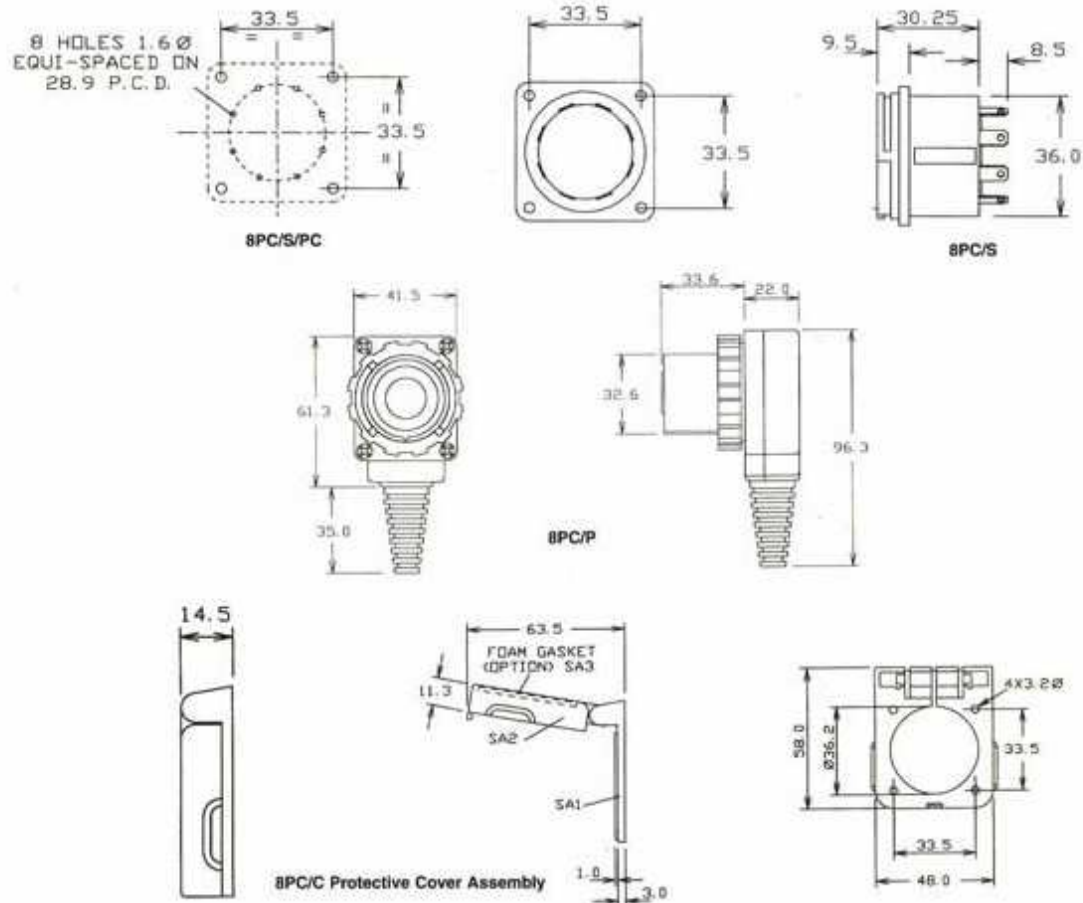


Visit us online at:

www.cliffuk.co.uk

CLIFF

Cliffcon® 8 Pole Connectors



Specification:

Rated Current: 8 pin 10A. RMS @ 80°C, 15A. RMS @ 20°C.
(same current on all 8 pins flowing through both plug and socket).

Rated Voltage: 250V AC max.

Contact Resistance New: < 8mΩ.

Capacitance between Terminals : < 3.5pf.

Insulation Resistance: > 20mΩ @ 1000V.

Inrush Current: > 30A. / 20mS.

Operating Voltage: -20°C to +80°C.

Recommended Wiring: Pin 1 designated for Earth.

Contacts: Tin plated.

Max. Wire Size: 6mm² / 10AWG (solid) 4mm² / 12AWG (stranded).