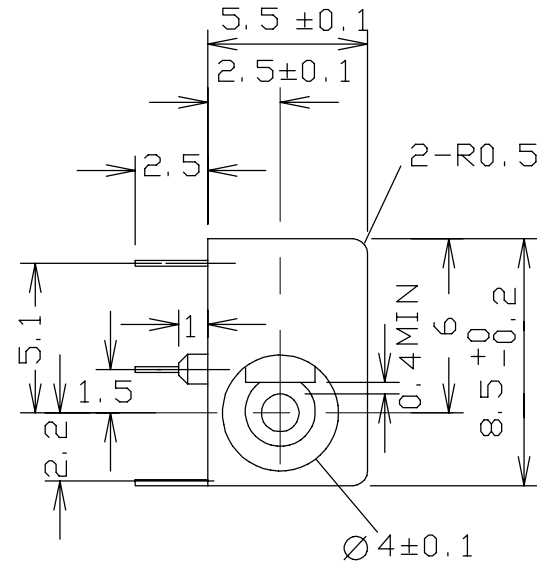
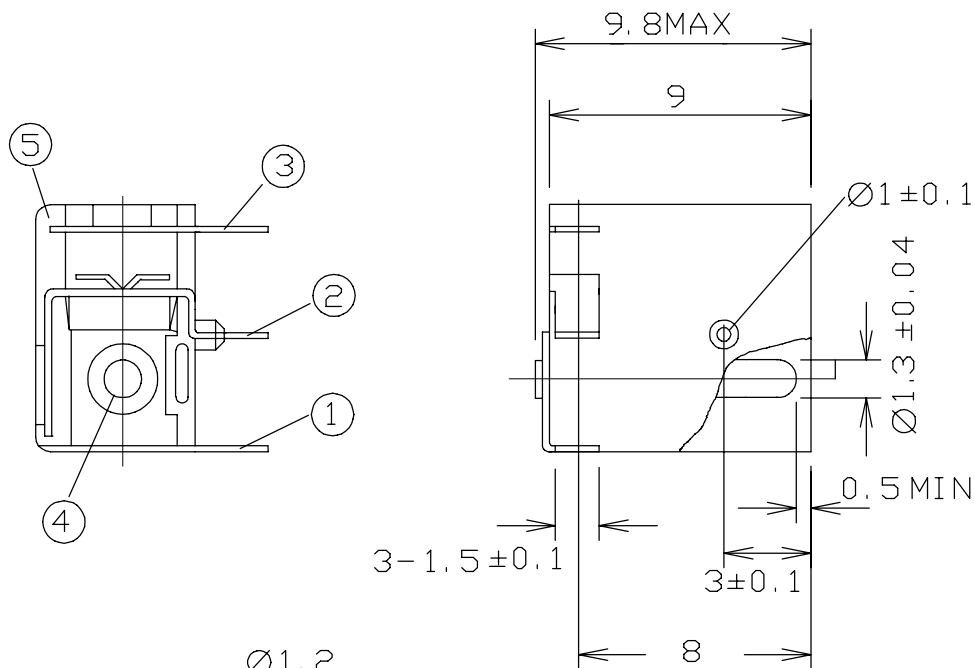
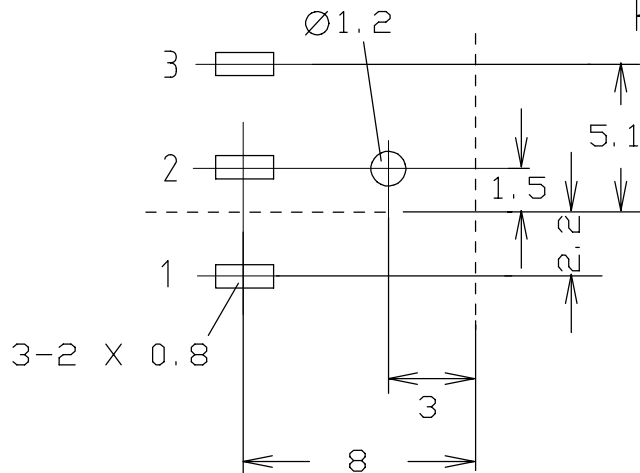
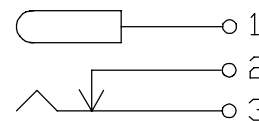


ISS.	AMEND	DATE
1	REDRAWN	11/07/90
2	PIN Ø IN TITLE	27/04/98
3	RoHS ADDED	26/05/09



SCHEMATIC



TRACK SIDE

ITEM	DESCRIPTION	QTY	MATERIAL	FINISH
1	PIN TERMINAL	1	SPRING BRASS 0.3 THK	SILVER PLATED
2	BREAK TERMINAL	1	SPRING BRASS 0.3 THK	SILVER PLATED
3	SLEEVE TERMINAL	1	Y-CUT 0.25 THK	SILVER PLATED
4	PIN	1	SPRING BRASS	NICKEL PLATED
5	HOUSING	1	P.B.T.	AS MOULDED

RoHS
COMPLIANT

Tolerance
 NO DEC. PLACE ±
 1 DEC. PLACE ± 0.20
 2 DEC. PLACE ±
 DIA. HOLES ±
 ANGLES ± 1/2°
 UNLESS
 OTHERWISE STATED

WHERE USED F.R.

SCALE N.T.S.

DIMENSIONS IN MILLIMETERS UNLESS OTHERWISE STATED. WORK TO DIMENSIONS. DO NOT SCALE DRAWING. 3rd ANGLE PROJECTION. REMOVE BURRS. IF IN DOUBT ASK.

MATERIAL SEE TABLE

FINISH SEE TABLE

DRAWN C.A.M.J.

APPD. RWT

TITLE DC POWER SOCKET DC8 (1.3mm PIN)

DRWG. No. **FC 68145**

FORM: A4DRWGH