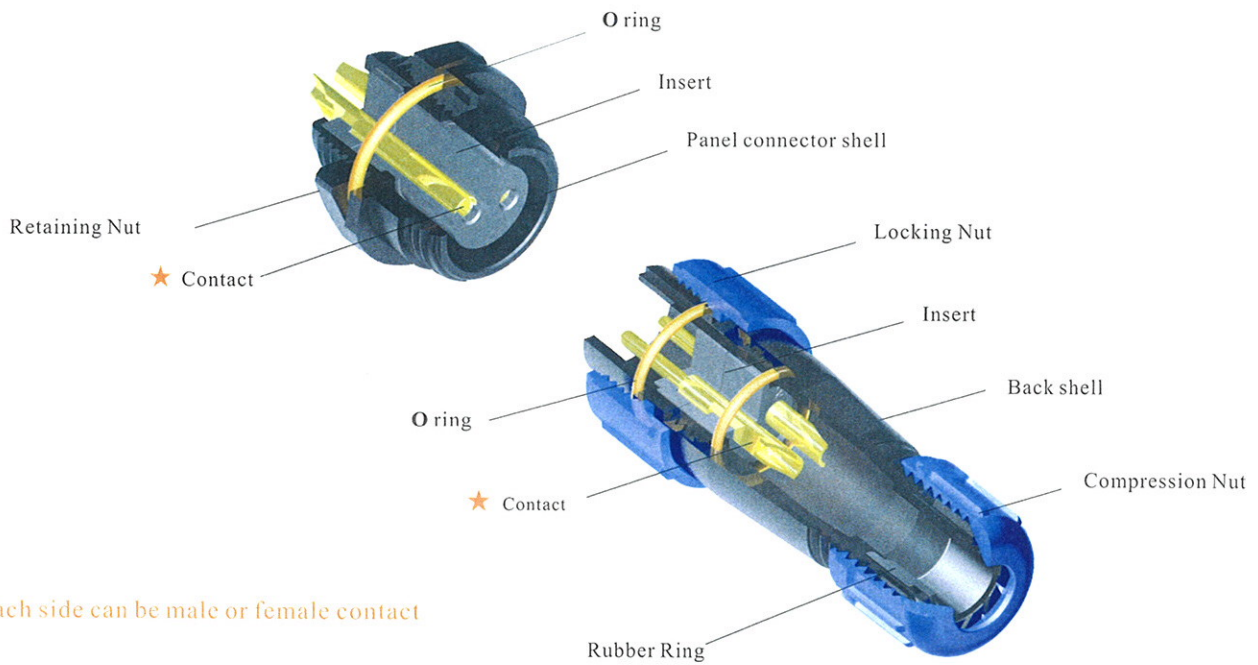


IP68



● **SP13 & SP21 IP68 Threaded coupling**



★ Each side can be male or female contact


Material and spec

Coupling	Threaded coupling	
Shell material	Nylon66 , fire resistance : V-0	
Insert material	PPS max temperature 260 °C	
Contact material	Brass with gold plating	
Termination	SP13: solder	
Cable outer diameter range	SP13 I: 4-6.5mm	II: 5-8mm
IP rating	IP68	
Mating cycle	>500	
Temperature range	-25°C ~ +85°C	
Insulation resistance MΩ	2000	

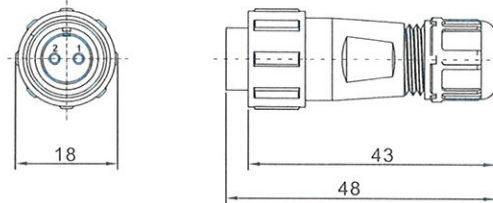
SP13 Series IP68

SP13

Cable connector
Mate with SP1311, SP1312




SP1310 / P — SP1310 / S

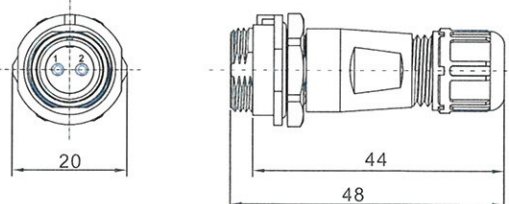


Cable outer diameter: I : 4-6.5mm , II : 5-8mm
Number of contact: 2. 3. 4. 5. 6. 7. 9

In-line cable connector
Mate with SP1310




SP1311 / P — SP1311 / S

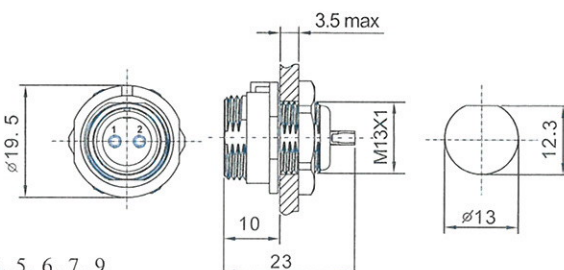


Cable outer diameter: I : 4-6.5mm , II : 5-8mm
Number of contact: 2. 3. 4. 5. 6. 7. 9

Front mount
Mate with SP1310



SP1312 / P — SP1312 / S



Number of contact: 2. 3. 4. 5. 6. 7. 9

Contact arrangement and spec

Number of contact	2	3	4	5	6	7	9
Male contact face view							
Rated current (A)	13A	13A	5A	5A	5A	5A	3A
Contact diameter	Ø 1.6X2	Ø1.6X3	Ø 1X4	Ø1X5	Ø1X6	Ø 1X7	Ø0.7X9
Rated voltage (AC.V)	250V	250V	200V	180V	125V	125V	125V
Test voltage(AC.V) 1 min	1500V	1500V	1500V	1000V	1000V	1000V	1000V
Contact resistance mΩ	2	2	5	5	5	5	10
Wire size mm ² /AWG	≤2/14	≤2/14	≤0.785/18	≤0.785/18	≤0.785/18	≤0.785/18	≤0.785/18