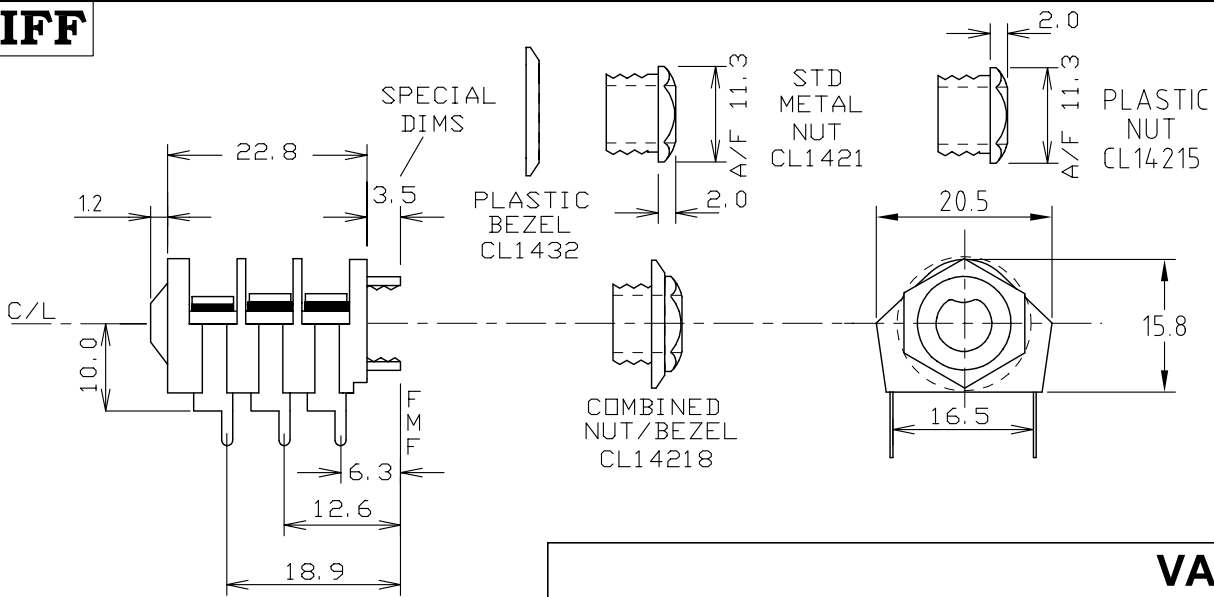


ISS.	AMEND	DATE
1	1st DRAWN	19/08/92
2	TOL CHANGE	18/08/94
3	PC-C ADDED	28/04/95
4	CL13330U ADDED	19/07/95
5	BEZEL ADDED	15/11/95
6	SEE MOD 0214	09/08/96
7	SEE MOD 0221	14/03/97
8	NUT CL14215 ADD	18/08/98
9	20.5 WAS 20.1	27/09/05
10	CL1332A ADDED	31/08/11

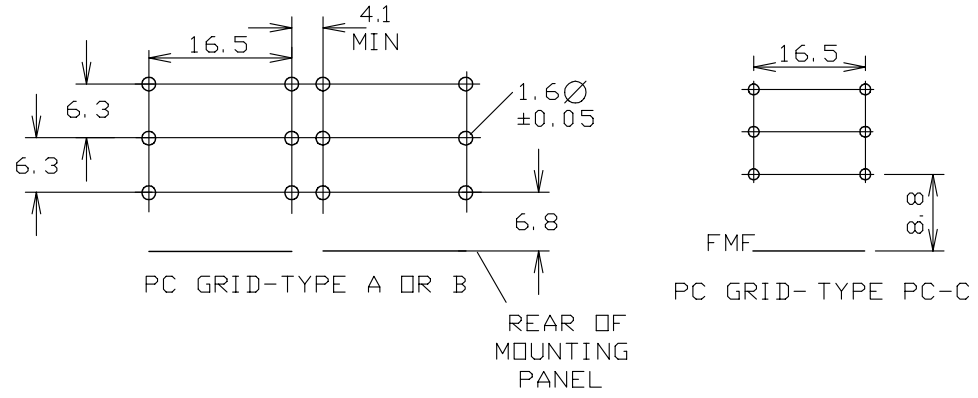
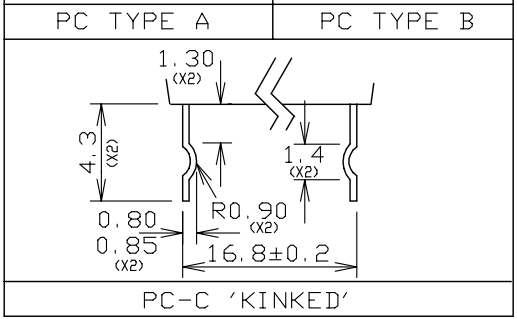
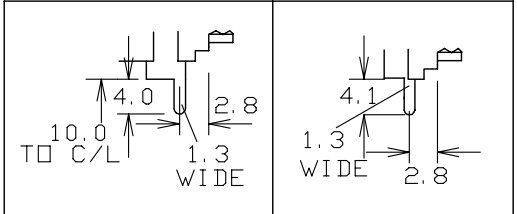


THIS MODEL IS INTENDED TO BE MOUNTED BEHIND THE MOUNTING PANEL - NOT THROUGH IT. NOMINAL PANEL THICKNESS 1.5mm.

FOR KINKED LEG JACK SOCKETS, USE 1.5 ± 0.05 Ø P.C.B. HOLE.

VARIANTS

PART No.	DESCRIPTION	FIBRE WASHER	CL1432	CL1421	CL14218	CL14215
CL1332A	S4AP/BBB/PCA ASSEM	1x	-	-	1x	-
CL1332U	S4AP/BBB/PCA UNASSEM	1x	-	-	1x	-
CL13330U	S4A/BBB/PC-C UNASSEM	-	1x	1x	-	-
CL13335U	S4A/BBB/PC-C KINK UNASSEM	2x	1x	1x	-	-



RoHS
✓ **COMPLIANT**

TOLERANCE
NO DEC. PLACE ±
1 DEC. PLACE ±0.20
2 DEC. PLACE ±
HOLE Ø ±
ANGLES ±1/2°
UNLESS OTHERWISE STATED