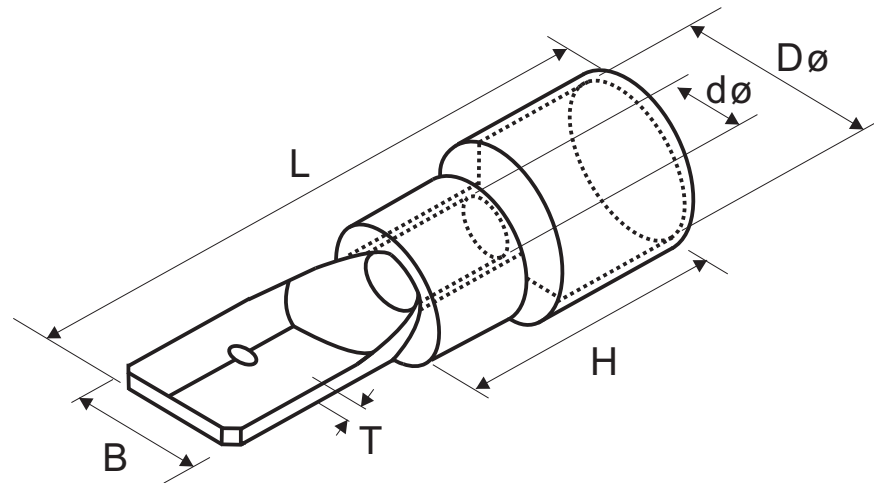


Male Crimp Terminal Connectors



Operating Temperature: 75°C max.

Material : Copper
Terminal : PVC
Insulation : TIN

Best.-Nr.	Typ	WIRE RANGE mm ² / AWG	TAB SIZE (mm)	T (mm)	DIMENSION					COLOR
					B (mm)	dø (mm)	Dø (mm)	L (mm)	H (mm)	
			±0.05	±0.1	±0.2	±0.2	±0.3	±1.0	±0.1	
73 67 53	MDD1.25-110(5)	0.5~1.5mm ² 22~16 AWG	2.8 x 0.5	0.5	2.75	1.7	3.5	17.7	10.0	RED
73 67 94	MDD1.25-110(8)		2.8 x 0.8	0.8	2.75	1.7	3.5	17.7	10.0	
73 68 23	MDD1.25-187(5)		4.8 x 0.5	0.5	4.75	1.7	3.5	20.0	10.0	
73 68 52	MDD1.25-187(8)		4.8 x 0.8	0.8	4.75	1.7	3.5	20.0	10.0	
74 54 10	MDD1.25-250		6.4 x 0.8	0.8	6.35	1.7	3.5	21.0	10.0	
73 68 91	MDD2-110(5)	1.5~2.5mm ² 16~14 AWG	2.8 x 0.5	0.5	2.75	2.3	4.0	17.7	10.0	BLUE
73 71 17	MDD2-110(8)		2.8 x 0.8	0.8	2.75	2.3	4.0	17.7	10.0	
73 71 96	MDD2-187(5)		4.8 x 0.5	0.5	4.75	2.3	4.0	20.0	10.0	
73 72 75	MDD2-187(8)		4.8 x 0.8	0.8	4.75	2.3	4.0	20.0	10.0	
74 54 24	MDD2-250		6.4 x 0.8	0.8	6.35	2.3	4.0	21.0	10.0	
73 73 32	MDD5.5-187	4~6mm ²	4.8 x 0.8	0.5	4.75	3.4	6.2	25.0	13.0	YELLOW
74 54 39	MDD5.5-250	12~10 AWG	6.4 x 0.8	0.8	6.35	3.4	6.2	25.0	13.0	