




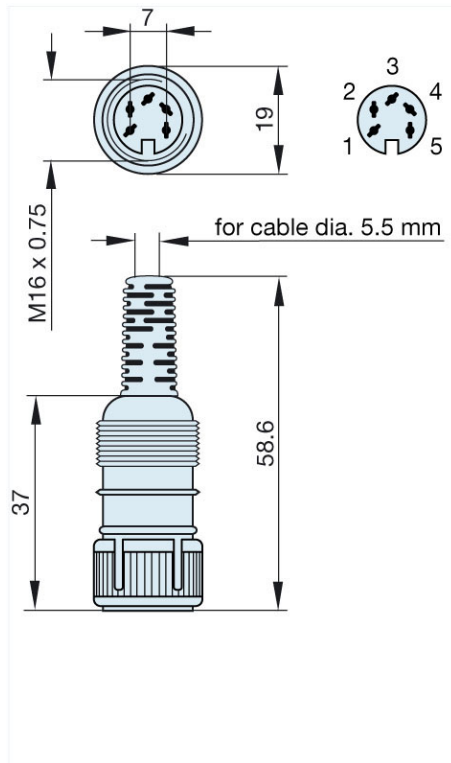
## Product information MAK 5100 grau/grey

Industrial Connecting Solutions: Circular Connectors: Audio/Video Connectors: DIN EN 60 130-09 Connectors (MAS/MAK series): with locking screw: Straight sockets: MAK 5100 grau/grey

<http://www.e-catalog.beldensolutions.com/link/57078-24228-256281-256282-24384-24391-24396-34590/en/conf/uistate>

|  |   |
|--|---|
| Name                                     | MAK 5100 grau/grey  |
|  |  |
|  | socket with locking screw; solder joint   |
| <b>Delivery informations</b>             |   |
| Availability                             | available   |
| <b>Product description</b>               |   |
| Type                                     | MAK 5100 grau/grey  |
| Order No.                                | 930 960-517   |
| Type of contact                          | female  |
| Description                              | socket with locking screw; solder joint   |
| Housing Color                            | grey  |
| Number of contacts                       | 5   |
| Conductor size                           | $\leq 0.34 \text{ mm}^2$  |
| <b>Technical data</b>                    |   |
| LF output "Phone"                        | EN 60 130-09  |
| Rated current                            | 4 A   |
| Rated voltage                            | AC/DC 34 V  |
| Cable diameter                           | 5.5 mm  |
| Type of termination                      | solder  |
| <b>Material</b>                          |   |
| Contact material (socket)                | brass   |
| Contact surface material                 | tin plated  |
| Contact bearer material                  | PA 66/UL standard 94V-2   |
| Housing material                         | PE  |
| <b>Environmental conditions</b>          |   |
| Protection class (IEC 60529)             | IP 30   |
| Temperature range                        | -20 °C to +60 °C  |
| <b>Scope of delivery and accessories</b> |   |
| Packaging                                | retail package, polyethylene bag  |

Picture  
Drawing



**Belden Deutschland GmbH**  
Im Gewerbepark 2  
58579 Schalksmühle  
Germany  
Phone: +49 7127/14-1806  
E-Mail: [icos-sales@belden.com](mailto:icos-sales@belden.com)

The information published in the websites has been compiled as carefully as possible. It is subject to alteration without notice in technical as well as in price-related/commercial respect. The complete information and data were available on user documentation. Mandatory information can only be obtained by a concrete query.