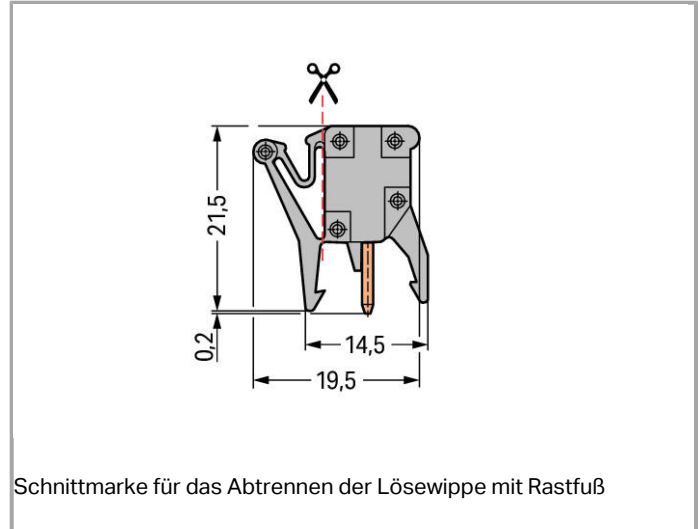
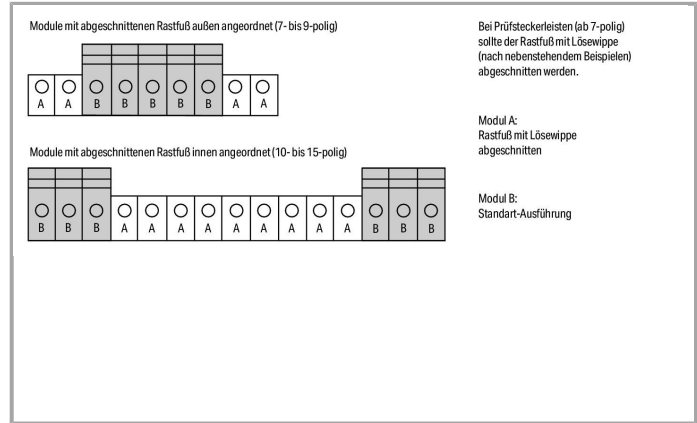
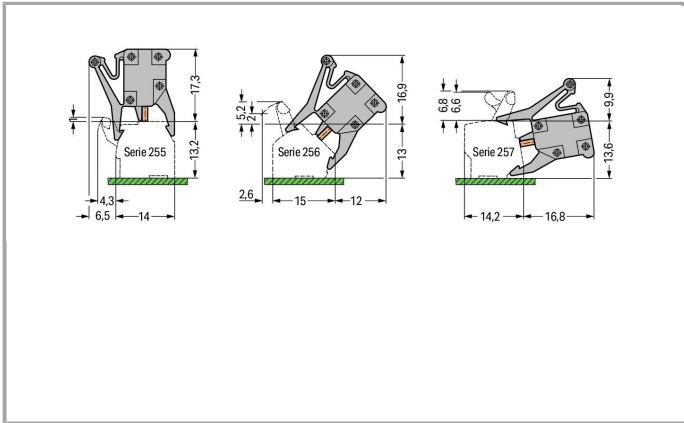


**Data sheet | Item number: 249-110**

Test plug adapter; suitable for 255, 256, 257 Series PCB terminal blocks; 1-pole; Pin spacing 5 mm / 0.197 in

[www.wago.com/249-110](http://www.wago.com/249-110)





## Data

### Electrical data

### Ratings per IEC/EN 60664-1

|                                 |   |
|---------------------------------|---|
| Rated voltage (III / 2)         | 320 V   |
| Rated impulse voltage (III / 2) | 4 kV  |
| Rated current                   | 6 A   |
| Legend (ratings)                | (III / 2) ≙ Overvoltage category III / Pollution degree 2 |

### Connection data

|              |   |
|--------------|---|
| No. of poles | 1 |
|--------------|---|

### Geometrical Data

|             |                      |
|-------------|----------------------|
| Pin spacing | 5 mm / 0.197 inch    |
| Width       | 5 mm / 0.197 inch    |
| Height      | 21.5 mm / 0.846 inch |
| Depth       | 19.5 mm / 0.768 inch |

### Material Data

|                             |                      |
|-----------------------------|----------------------|
| Color                       | gray                 |
| Material group              | I                    |
| Insulating material         | Polyamide 66 (PA 66) |
| Flammability class per UL94 | V0                   |
| Weight                      | 1.298 g              |

### Environmental Requirements

|                         |                 |
|-------------------------|-----------------|
| Limit temperature range | -60 ... +105 °C |
|-------------------------|-----------------|



### Commercial data

|                    |                                |
|--------------------|--------------------------------|
| Country of origin  | CH                             |
| GTIN               | 4045454306816                  |
| Customs Tariff No. | 85366990990                    |
| Product Group      | 2 (Terminal Block Accessories) |

### Downloads

#### smartDATA

#### CAD data

|                     |     |          |
|---------------------|-----|----------|
| 3D Download 249-110 | URL | Download |
|---------------------|-----|----------|

Subject to changes.