

Date: 16.04.2012

## RRJ\_HDMI\_STB

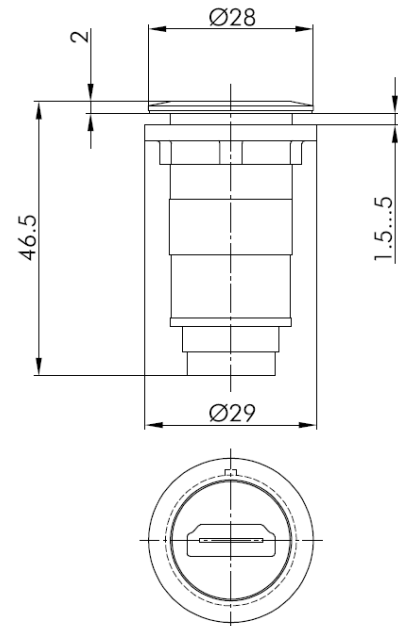
### Technical Data

Type reference: RRJ\_HDMI\_STB  
Specification: HDMI jack

Jack, front side: HDMI  
Jack, back side: HDMI

Protection degree:  
RRJ\_HDMI\_STB IP65  
In combination with AK22RR IP67

Mounting diameter: 22,3mm



- subject to alterations -