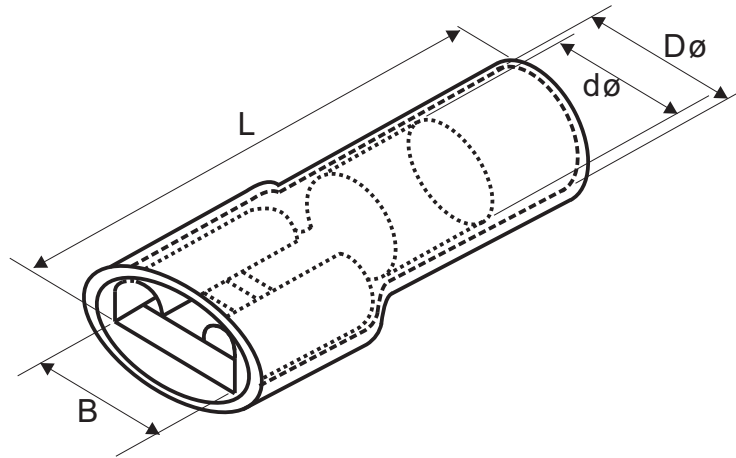


Fully Insulated Female Crimp Connectors



Operating Temperature: 75°C max.

Material : Copper
Terminal : PVC
Insulation : TIN
Plating

Best.-Nr.	Typ	WIRE RANGE mm ² / AWG	Suitable connect TAB	DIMENSION				COLOR
				B (mm) ±0.2	dø (mm) ±0.2	Dø (mm) ±0.3	L (mm) ±1.0	
73 76 23	FDFD1.25-110(5)	0.5~1.5mm ² 22~16 AWG	2.8 x 0.5	3.2	1.7	3.5	18.4	RED
73 76 62	FDFD1.25-187(5)		4.8 x 0.5	5.0	1.7	3.5	20.0	
73 76 98	FDFD1.25-187(8)		4.8 x 0.8	5.0	1.7	3.5	20.0	
74 50 60	FDFD1.25-250		6.4 x 0.8	6.6	1.7	3.5	21.5	
73 77 49	FDFD2-110(5)	1.5~2.5mm ² 16~14 AWG	2.8 x 0.5	3.2	2.3	4.0	19.0	BLUE
73 77 92	FDFD2-187(5)		4.8 x 0.5	5.0	2.3	4.0	20.0	
73 78 40	FDFD2-187(8)		4.8 x 0.8	5.0	2.3	4.0	20.0	
74 50 73	FDFD2-250		6.4 x 0.8	6.6	2.3	4.0	21.5	
73 78 86	FDFD5.5-187(5)	4~6mm ²	4.8 x 0.5	5.0	3.4	6.2	23.0	YELLOW
74 50 86	FDFD5.5-250	12~10 AWG	6.4 x 0.8	6.6	3.4	6.2	25.5	