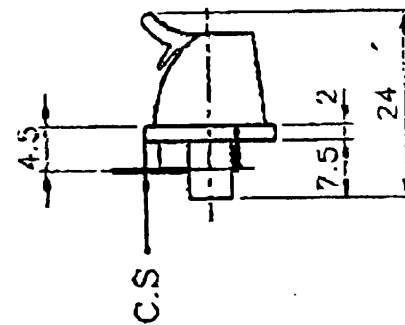
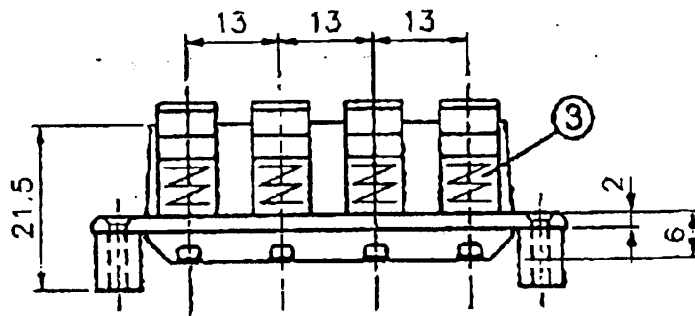


PCB LAYOUT



BEST NO. 737755  
PUSH TERMINAL WITH BASE

NO.	PART NAME	Q'TY	MATERIAL	REMARKS
4	TERMINAL	4		
3	SPRING	4		
2	BUTTON	4		
1	BASE	1		

RAMTRONICS INDUSTRIAL CO., LTD

Tel: 02-25653096  
Fax: 02-25372463

PART NO.	E401-B	RATE	UNIT	CON.TOL.	DRAWNG	DESIGN	DEN NO.	DWG NO.
DESC	4P PUSH TERMINAL BOARD	1/i	MM	$\pm 0.2$	May	郭	970721	E401-B