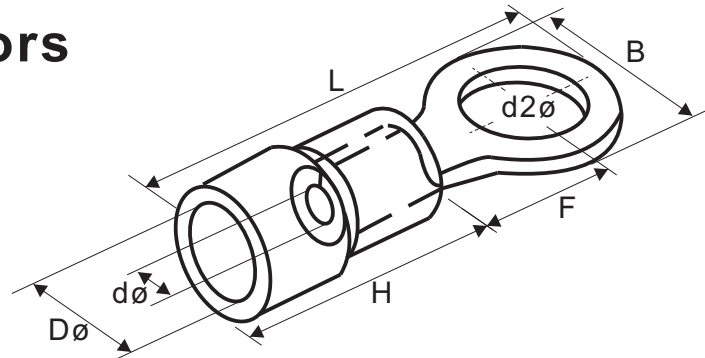


Ring Type Crimp Connectors



Operating Temperature: 75°C max.

Material : Copper
Terminal : PVC
Insulation : TIN

Best.-Nr.	Typ	WIRE RANGE mm ² / AWG	STUD SIZE	DIMENSION							COLOR
				d2ø (mm)	B (mm)	L (mm)	F (mm)	H (mm)	dø(mm)	Dø (mm)	
				±0.2	±0.2	±1.0	±0.3	±0.7	±0.2	±0.5	
74 55 01	RV1.25-3.2	0.5~1.5mm ² 22~16 AWG	M3	3.2	5.7	17.8	4.95	10.0	1.7	4	RED
74 60 36	RV1.25-3.5S		M3.5	3.7	5.7	17.8	4.95		1.7		
74 60 48	RV1.25-4S		M4	4.3	6.6	20.1	6.3		1.7		
74 60 61	RV1.25-5S		M5	5.3	8	21.5	7		1.7		
74 60 74	RV1.25-6S		M6	6.4	9.8	23.0	8.5		1.7		
74 67 62	RV1.25-8		M8	8.4	11.6	27.5	11.1		1.7		
73 81 67	RV1.25-10		M10	10.5	13.6	31.6	13.9		1.7		
74 60 87	RV2-3.2	1.5~2.5mm ² 16~14 AMG	M3	3.2	6.6	17.8	4.3	10.0	2.3	4.5	BLUE
74 64 27	RV2-3.5S		M3.5	3.7	6.6	17.8	4.3		2.3		
74 65 42	RV2-4S		M4	4.3	6.6	21	7.0		2.3		
74 65 55	RV2-5S		M5	5.3	8.5	22.5	7.75		2.3		
74 65 68	RV2-6S		M6	6.4	9.5	25	10		2.3		
74 65 81	RV2-8		M8	8.4	12.0	27.6	11.0		2.3		
73 82 08	RV2-10		M10	10.5	13.6	30.2	13.9		2.3		
73 82 36	RV2-12		M12	13.0	19.2	36.5	16.5		2.3		
73 82 66	RV3.5-4	2.5~4mm ² 14~12 AMG	M4	4.3	8.0	24.5	7.7	13.0	3.0	5.6	BLACK
73 82 95	RV3.5-5S		M5	5.3	8.0	24.5	7.7		3.0		
73 83 23	RV3.5-6		M6	6.4	12.0	27.9	7.7		3.0		
73 83 50	RV3.5-8		M8	8.4	15.0	32.0	13.5		3.0		
73 83 78	RV3.5-10		M10	10.5	15.0	32.0	13.5		3.0		
74 65 94	RV5.5-3.5	4~6mm ² 12~10 AWG	M3.5	3.7	7.2	21.4	5.9	13.0	3.4	6.3	YELLOW
74 66 28	RV5.5-4S		M4	4.3	7.2	21.4	5.9		3.4		
74 66 21	RV5.5-5		M5	5.3	9.5	25.5	8.3		3.4		
74 66 82	RV5.5-6		M6	6.4	12.0	31.5	13.0		3.4		
74 67 50	RV5.5-8		M8	8.4	15.0	33.7	13.7		3.4		
73 84 06	RV5.5-10		M10	10.5	15.0	33.7	13.7		3.4		