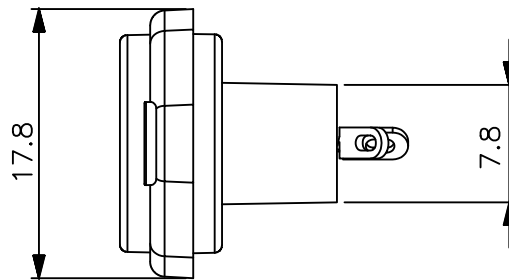
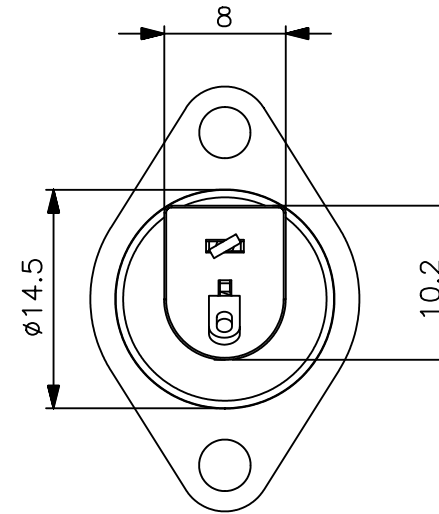
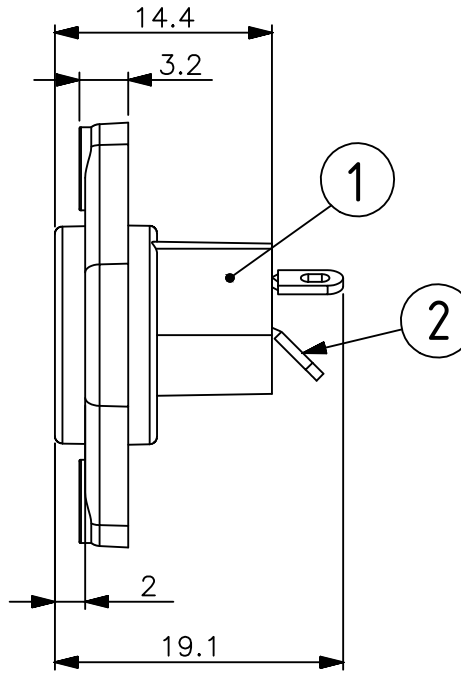
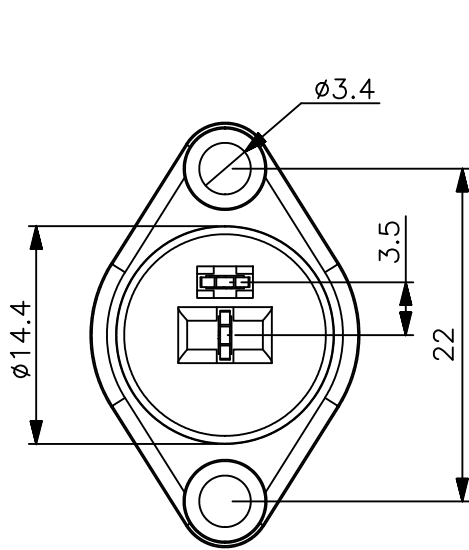


CUSTOMER BD003 FILE NO. D03-007

THIS DRAWING AND SPECIFICATIONS, HEREIN ARE THE CONFIDENTIAL PROPERTY OF SAMAR AND SHALL NOT BE REPRODUCED OR COPIED OR DISCLOSED IN WHOLE OR IN PART WITHOUT WRITTEN PERMISSION.

REV.	DESCRIPTION	DRAWN / DATE	APPROVED / DATE
0	INITIAL RELEASE	FROS 03/25/2011	FROS 03/25/2011



SPECIFICATIONS

RATING: 100V AC 4A MAX
 CONTACT RESISTANCE: 30mΩ MAX
 INSULATION RESISTANCE: MIN 100 MΩ AT 500V DC
 VOLTAGE WITHSTAND: 250V AC R.N.S. FOR ONE MINUTE

2	CONTACT TERMINAL	BRASS, SILVER PLATED	2
1	HOUSING	BAKELITE	1
NO.	DESCRIPTION	MATERIAL	Q'TY

DIMENSIONS ARE IN mm [INCH]	TOLERANCES ARE FRACTIONS DECIMALS ANGLES	MATERIAL
MOLD NO. D03-007	.x ± 0.25 [0.01] .xx ± 0.12 [0.005]	FINISH COLOR



2P DIN SOCKET

P/N 089521	DRAWN FROS	DATE 03/25/2011
PROJECT NO.		
SCALE N/A	SIZE A4	SHEET 1 OF 1