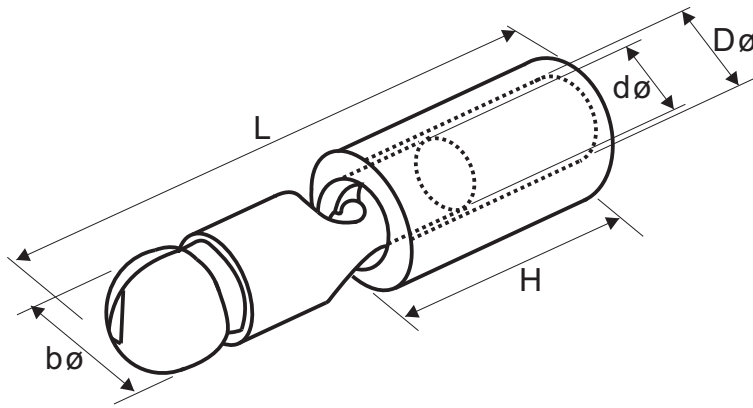


# Bullet Type Crimp Connectors

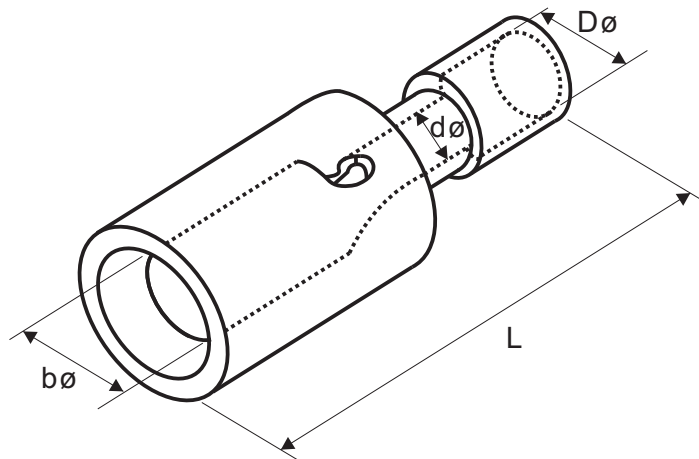


Operating Temperature: 75°C max.

Material  
Terminal : Copper  
Insulation : PVC  
Plating : TIN

Best.-Nr.	Typ	WIRE RANGE mm <sup>2</sup> AWG	DIMENSION					COLOR
			bø (mm)	Dø (mm)	dø (mm)	H (mm)	L (mm)	
73 84 34	MPD1.25-156	0.5~1.5mm <sup>2</sup> 22~16 AWG	±0.2 4.0	±0.2 3.4	±0.2 1.7	±0.5 10.0	±1.0 21.0	RED
73 84 60	MPD2-156	1.5~2.5mm <sup>2</sup>	4.0	4.1	2.3	10.0	21.0	BLUE
73 84 90	MPD2-195	16~14 AWG	5.0	4.1	2.3	10.0	21.0	
73 85 20	MPD5.5-156	4~6mm <sup>2</sup>	4.0	5.2	3.4	14.0	25.0	YELLOW
73 86 98	MPD5.5-195	12~10 AWG	5.0	5.2	3.4	14.0	26.0	

# Bullet Type Crimp Disconnectors



Operating Temperature: 75°C max.

Material  
Terminal : Copper  
Insulation : PVC  
Plating : TIN

Best.-Nr.	Typ	WIRE RANGE mm <sup>2</sup> AWG	DIMENSION				COLOR
			bø (mm)	Dø (mm)	dø (mm)	L (mm)	
73 89 59	FRD1.25-156	0.5~1.5mm <sup>2</sup> 22~16 AWG	±1.0 4.0	±0.2 3.4	±0.2 1.7	±0.3 24.0	RED
73 89 95	FRD2-156	1.5~2.5mm <sup>2</sup>	4.0	4.0	2.3	24.0	BLUE
73 90 34	FRD2-195	16~14 AWG	5.0	4.0	2.3	25.5	
73 90 66	FRD5.5-156	4~6mm <sup>2</sup>	4.0	5.5	2.3	23.8	YELLOW
73 90 95	FRD5.5-195	12~10 AWG	5.0	5.5	3.4	24.5	