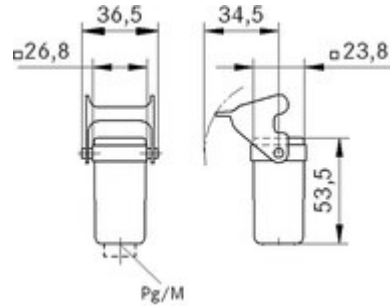


Innovative metal and plastic housing design

Product Description

Housing in plastic or metal version. For power supply in the smallest possible space



Application range

- Machine and equipment manufacturing
- Control engineering
- Electronic laboratory

Benefits

- Housing in plastic or metal version. For power supply in the smallest possible space

Product features

- Cable coupler hood
- 1 lever
- Straight cable entry
- Versions with / without cable gland



Technical Data

Material

Housing: powder-coated zinc die-casting, grey

Lever: zinc-plated steel

Protection rating

IP 65 (latched)

Temperature range

-40 °C to +100 °C, short-term up to +125 °C

Article List

Part number	Article	M	PG	Material	Colour	Cable gland	Cable clamping range	Dimensions incl. cable gland	Pieces / PU
H-A housing: cable coupler hood (straight cable entry)									
10512900	H-A 3 MTgvb		11	Zinc die-casting	grey				10
10429500	H-A 3 MTgvb		11	Zinc die-casting	grey	yes	6,5 - 12	60	10
19512900	H-A 3 MTgvb M20	20		Zinc die-casting	grey				10

Footnote:

Photographs are not to scale and do not represent detailed images of the respective products.