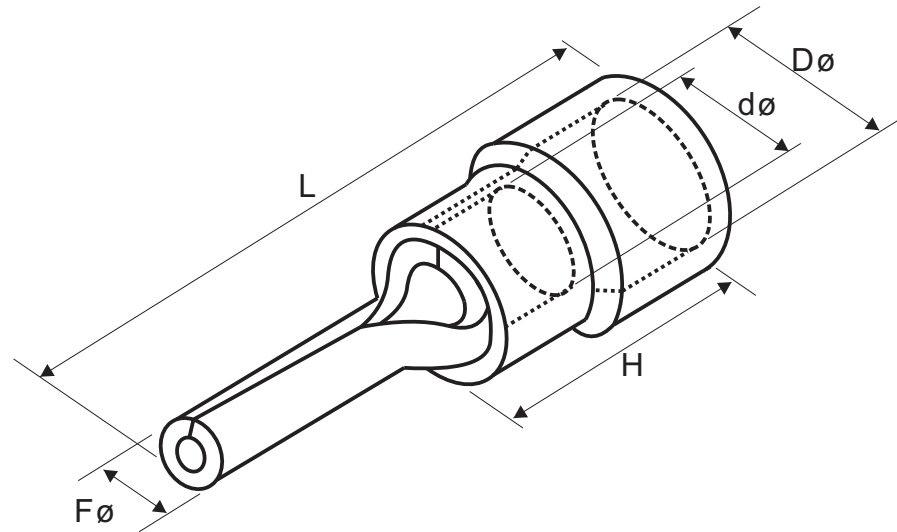


Pin Type Crimp Connectors



Operating Temperature: 75°C max.

Material : Copper
Terminal : PVC
Insulation : TIN
Plating

Best.-Nr.	Typ	WIRE RANGE mm ² /AWG	DIMENSION					COLOR
			F (mm)	L (mm)	H (mm)	dø (mm)	Dø (mm)	
73 91 27	PTV1.25-9	0.5~1.5mm ² 22~16 AWG	±0.3	±1.0	±0.7	±0.2	4.0	RED
73 91 55	PTV1.25-10		1.9	19.0	10.0	1.7		
73 91 76	PTV1.25-12		1.9	20.0	10.0	1.7		
73 92 05	PTV1.2513		1.9	22.0	10.0	1.7		
73 92 31	PTV1.25-18		1.9	23.0	10.0	1.7		
73 92 57	PTV2-9	1.5~2.5mm ² 16~14 AWG	±0.3	±1.0	±0.7	±0.2	4.5	BLUE
73 92 82	PTV2-10		1.9	19.0	10.0	2.3		
73 93 07	PTV2-12		1.9	20.0	10.0	2.3		
73 93 35	PTV2-13		1.9	22.0	10.0	2.3		
73 93 61	PTV2-18		1.9	23.0	10.0	2.3		
73 93 86	PTV3.5-10	2.5~4mm ² 14~12 AWG	2.8	20.0	13.0	3.0	5.6	BLACK
73 94 12	PTV5.5-13	4~6mm ² 12~10 AWG	2.8	20.0	13.0	3.0	6.3	YELLOW
73 94 41	PTV5.5-18		2.8	25.5	13.0	3.4		