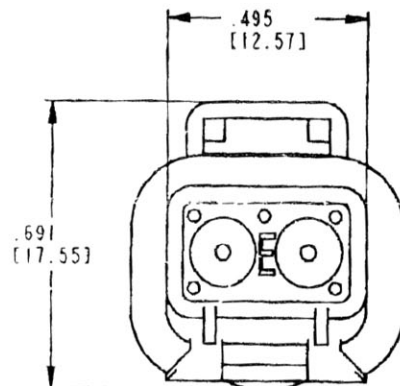
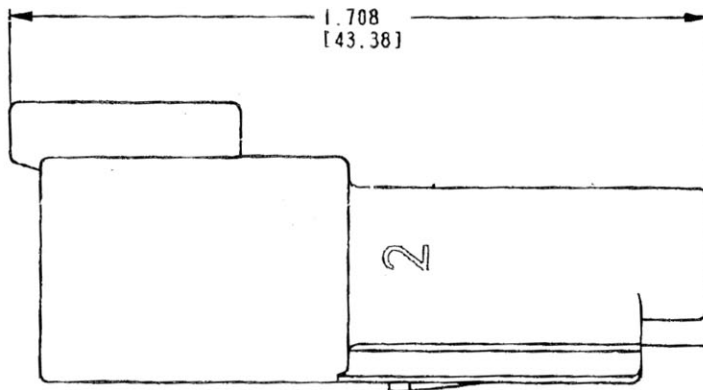
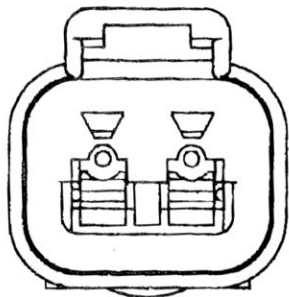


REV
A DT04-2P-CE02

REVISIONS			
SYM	DESCRIPTION	DATE	APPROVED
NC	NEW RELEASE PER E.O. P15986	3/29/99	RDR
A	REVISED PER E.O. P15254	6-4-99	RDR



CONTACT SIZE	MIN. INSUL O.D.	MAX. INSUL O.D.	WIRE RANGE [mm ²]
16	.053 [1.35]	.120 [3.05]	14-20 AWG [2.0-0.5]

- THIS RECEPTACLE MATES WITH THE DT06-2S-**** PLUG (**** = ALL MODIFICATIONS).
- FOR MORE INFO. SEE ENVELOPE DRAWING 0425-017-0000 AND 0425-015-0000.
- CONSULT FACTORY FOR SPECIFICATIONS AND APPLICATION.
- ALL DIMENSIONS ARE ±.025[0.63] UNLESS OTHERWISE SPECIFIED.
- ALL DIMENSIONS ARE INCHES [MILLIMETERS].

NOTES:

SIGNATURE & DATE	
DR	D. SPENCER 18MAR99
CHK	<i>[Signature]</i> 10/1/99
PE	<i>[Signature]</i> 10-1-99
APPD	<i>[Signature]</i> 10-4-99
SCALE	3.5:1 WT

2 WAY RECEPTACLE
CE02 MOD
DT SERIES
NOV 22 2002
ENVELOPE

CP	MTL. CODE
The Deutsch Company DEUTSCH I.P.D. 3850 INDUSTRIAL AVE. HEWET, CALIF. 92545	
B	DT04-2P-CE02
DWG. SIZE	CODE 11139 SHEET 1 OF 1