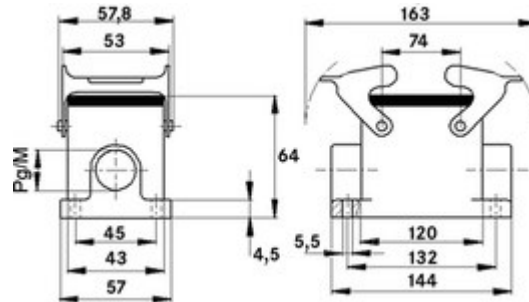


Housing design H-B. The industry standard.

### Product Description

Ideal for many applications due to a wide range of housings and inserts



### Application range

- Plant engineering
- Light & sound technology
- Plastics industry

### Benefits

- Ideal for many applications due to a wide range of housings and inserts

### Product features

- Surface-mount base, low version
- Dual levers
- 1 cable entry



**Technical Data**

**Material**

Housing: powder-coated aluminium alloy, grey

Lever: zinc-plated steel Sealing: NBR

**Protection rating**

IP 65 (latched)

**Temperature range**

-40 °C to +100 °C, short-term up to +125 °C

**Article List**

Part number	Article	M	PG	Pieces / PU
H-B housing: surface-mount base (1 cable entry, double lever)				
10104000	H-B 24 SGR 21		21	5
19104000	H-B 24 SGR M25	25		5

**Footnote:**

Photographs are not to scale and do not represent detailed images of the respective products.