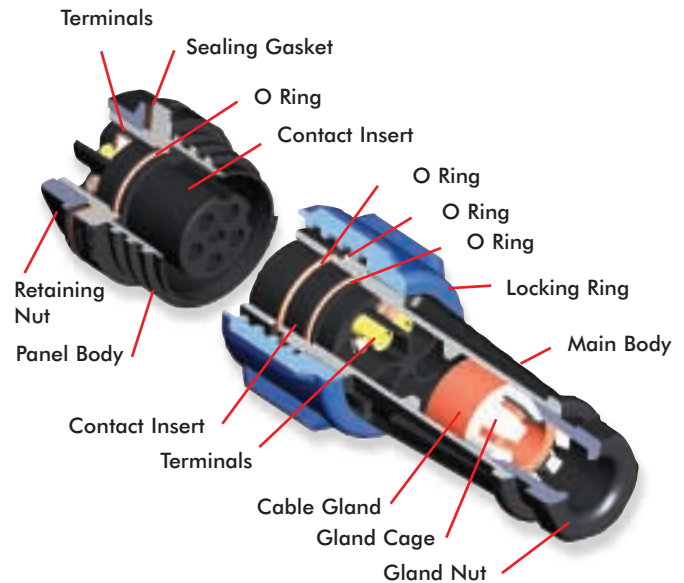


900 Series Buccaneer®



IP68



- IP68 rating tested at 1.054Kg/sq cm (15lb/sq in) 10m depth for 2 weeks
- 32A, 600V ac/dc rating
- 2, 3, 4, 5 and 7 pole
- Plug or socket connection in each body style
- Water and dustproof to IP68 when mated
- 'Scoop proof' contacts
- Field termination - screw terminations
- Positive locating keyways - cannot be mis-connected
- Sealing caps available to maintain IP68 rating of unmated connectors
- Leading earth contact for 3, 4, 5 and 7 pole versions
- Trailing Neutral on 5 pole
- Compact design
- Easy assembly - no special tools required
- Single or 3 phase applications
- Bulkhead moulding available for use with flange mounting body for 45° or 90° mounting (order each separately)
- Cost effective solution
- Two cable connector versions for 15mm and 22mm cable diameters
- Separate strain relief on large cable version
- UL, CSA and VDE approvals

900 Series Buccaneer®

FLEX CABLE CONNECTOR

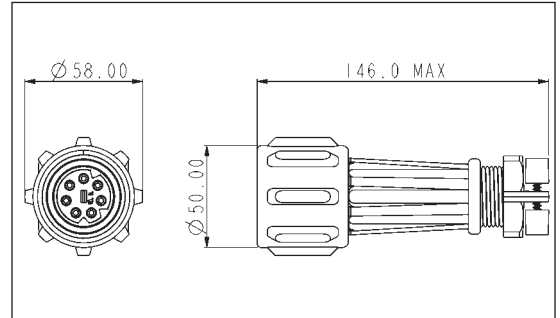
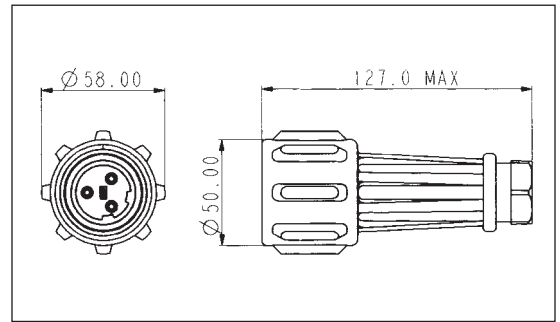


PX0911



PXA911

- Mates with in-line flex or panel mounting versions
- Positive, fast acting locking ring - can be turned with a gloved hand
- Plug or socket versions
- PX0 Series 13-15mm cable dia. as standard, 7-13mm with additional gland pack
- PXA Series 20-22mm cable dia. as standard, 14-20mm with additional gland pack
- Strain Relief Clamp (PXA Series only)



Flex Cable

| Standard Cable | Large Cable | Description | Standard Cable | Large Cable | Description |
|----------------|-------------|-------------|----------------|-------------|---------------|
| PX0911/02/P | PXA911/02/P | 2 pole Plug | PX0911/02/S | PXA911/02/S | 2 pole Socket |
| PX0911/03/P | PXA911/03/P | 3 pole Plug | PX0911/03/S | PXA911/03/S | 3 pole Socket |
| PX0911/04/P | PXA911/04/P | 4 pole Plug | PX0911/04/S | PXA911/04/S | 4 pole Socket |
| PX0911/05/P | PXA911/05/P | 5 pole Plug | PX0911/05/S | PXA911/05/S | 5 pole Socket |
| PX0911/07/P | PXA911/07/P | 7 pole Plug | PX0911/07/S | PXA911/07/S | 7 pole Socket |

IN-LINE FLEX CABLE CONNECTOR

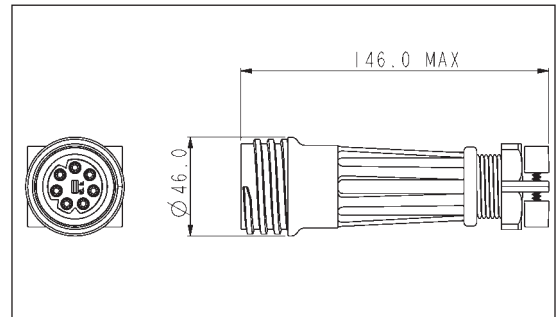
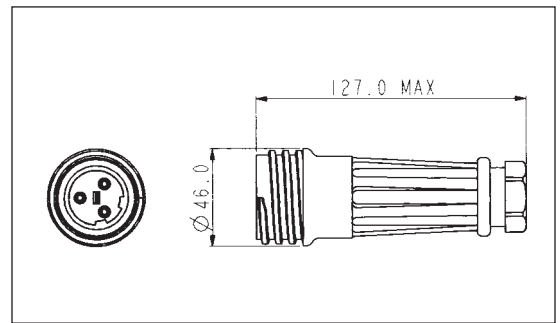


PX0921



PXA921

- Mates with either PX0911 or PXA911 connectors
- Plug or socket versions
- PX0 Series 13-15mm cable dia. as standard, 7-13mm with additional gland pack
- PXA Series 20-22mm cable dia. as standard, 14-20mm with additional gland pack
- Strain Relief Clamp (PXA Series only)



In-Line Flex Cable

| Standard Cable | Large Cable | Description | Standard Cable | Large Cable | Description |
|----------------|-------------|-------------|----------------|-------------|---------------|
| PX0921/02/P | PXA921/02/P | 2 pole Plug | PX0921/02/S | PXA921/02/S | 2 pole Socket |
| PX0921/03/P | PXA921/03/P | 3 pole Plug | PX0921/03/S | PXA921/03/S | 3 pole Socket |
| PX0921/04/P | PXA921/04/P | 4 pole Plug | PX0921/04/S | PXA921/04/S | 4 pole Socket |
| PX0921/05/P | PXA921/05/P | 5 pole Plug | PX0921/05/S | PXA921/05/S | 5 pole Socket |
| PX0921/07/P | PXA921/07/P | 7 pole Plug | PX0921/07/S | PXA921/07/S | 7 pole Socket |

BUCCANEER

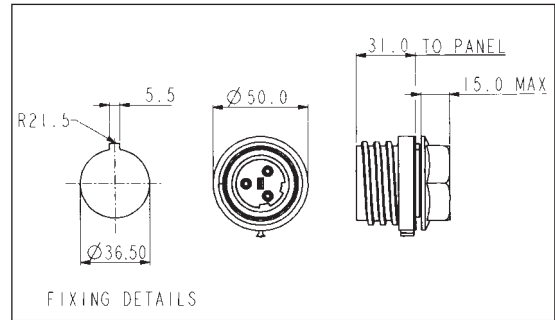
900 Series Buccaneer®

PANEL MOUNTING CONNECTOR



PX0931

- Mates with PX0911 and PXA911 connectors
- Single hole fixing
- Anti-rotation key
- High grade sealing gasket
- 3-7mm panel thickness



FIXING DETAILS

Panel Mounting

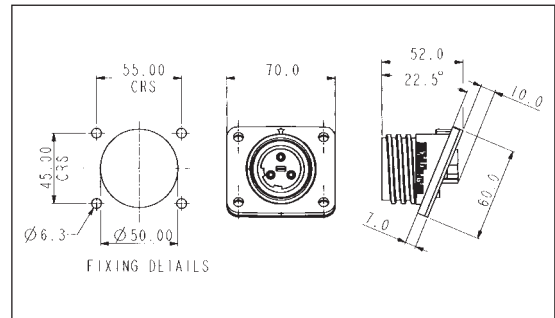
| | | | |
|-------------|-------------|-------------|---------------|
| PX0931/02/P | 2 pole Plug | PX0931/02/S | 2 pole Socket |
| PX0931/03/P | 3 pole Plug | PX0931/03/S | 3 pole Socket |
| PX0931/04/P | 4 pole Plug | PX0931/04/S | 4 pole Socket |
| PX0931/05/P | 5 pole Plug | PX0931/05/S | 5 pole Socket |
| PX0931/07/P | 7 pole Plug | PX0931/07/S | 7 pole Socket |

FLANGE MOUNTING CONNECTOR



PX0941

- Mates with PX0911 and PXA911 connectors
- Supplied with high grade sealing gasket
- Supplied with sealing grommets for panel fixing screws (M6 thread recommended)



FIXING DETAILS

Flange Mounting

| | | | |
|-------------|-------------|-------------|---------------|
| PX0941/02/P | 2 pole Plug | PX0941/02/S | 2 pole Socket |
| PX0941/03/P | 3 pole Plug | PX0941/03/S | 3 pole Socket |
| PX0941/04/P | 4 pole Plug | PX0941/04/S | 4 pole Socket |
| PX0941/05/P | 5 pole Plug | PX0941/05/S | 5 pole Socket |
| PX0941/07/P | 7 pole Plug | PX0941/07/S | 7 pole Socket |

900 Series Buccaneer®

ADDITIONAL BULKHEAD ADAPTOR MOULDING

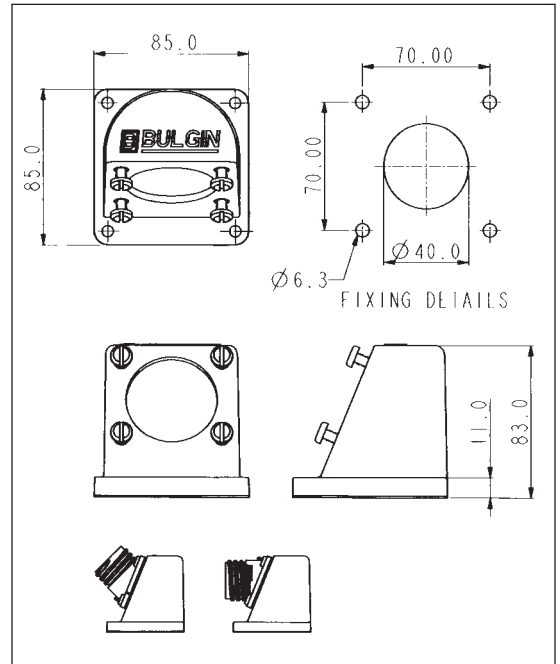


PX0950

- For use with flange mounting connector PX0941, to give 45° or 90° angle
- Supplied with high grade sealing gasket
- Supplied with sealing grommets for panel fixing screws (M6 thread recommended)



PX0950 & PX0941



BUCCANEER

ACCESSORIES



PX0960, PX0970

- Sealing caps to maintain IP68 rating of unmated connectors

Accessories

| | |
|--------|--------------------------------------------------------------------------------------------------------------|
| PX0960 | Sealing cap for use with PX0911/xx/x and PXA911/xx/x |
| PX0970 | Sealing cap for use with all other styles |
| PX0980 | Pack of 3 additional cable glands for PX0911 and PX0921 to suit cable sizes; 11-13mm, 9-11 and 7-9mm dia. |
| PXA980 | Pack of 3 additional cable glands for PXA911 and PXA921 to suit cable sizes; 18-20mm, 16-18 and 14-16mm dia. |

PART NO SYSTEM

PXx9 x x / xx / x / xx

Series Designation
 09 = Standard Cable Accommodation (7-13mm)
 A9 = Large Cable Accommodation (14-22mm)

Body Styles
 1 = Flex, 2 = Flex In-line,
 3 = Panel, 4 = Flange Panel

Contact Termination
 1 = Screw Terminal

Number Contacts
 02 = 2 pole, 03 = 3 pole, 04 = 4 pole,
 05 = 5 pole, 07 = 7 pole

Contact Type
 P = Plug, S = Socket

Cable Acceptance

| | | | |
|-----------------|-------------------------------|-----------------|-------------------------------|
| PX0 version: | | PXA version: | |
| Blank = 13-15mm | Yellow cable gland (standard) | Blank = 20-22mm | Yellow cable gland (standard) |
| 03 = 11-13mm | Black cable gland | 09 = 18-20mm | Black cable gland |
| 02 = 9-11mm | White cable gland | 08 = 16-18mm | White cable gland |
| 01 = 7-9mm | Dark Grey cable gland | 07 = 14-16mm | Dark Grey cable gland |

Example:
 PX0911/07/P/03 = Flex cable connector with standard cable accommodation body, seven pin contacts, with gland to suit 11-13mm cable.

900 Series Buccaneer®

SPECIFICATION

Electrical:

| | | | |
|------------------------------|-----------------------------------------------------------------------------------|-----------------|------------|
| No Poles: | 2, 3 | 4, 5 | 7* |
| Current Rating: | 32A 30A, CSA | 32A 25A, CSA | 32A |
| Voltage Rating: | 600V ac/dc | 600V ac/dc | 430V ac/dc |
| Contact Resistance: | <10mΩ (initial) | | |
| Insulation Resistance: | >10 ⁶ MΩ (@ 500V dc) | | |
| Dielectric strength: | 2.2kV ac min | | |
| AC Breakdown voltage: | 6kV | | |
| Operating Temperature Range: | -40°C to +85°C | | |
| Approvals: |  | | |

*UL and CSA approvals pending for 7 pole

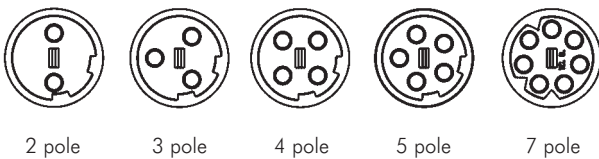
Material:

| | |
|-----------------------|-------------------------------------|
| Body Mouldings: | Polyamide |
| Flammability Rating: | UL94V-0 |
| UV Resistance: | To EN50021: 1999 |
| Contacts: | Machined Solid Brass, Nickel plated |
| O Rings: | Nitrile |
| Panel Sealing Gasket: | Silicone Rubber |

Mechanical:

| | |
|---------------------------------|---------------------------------------------------------------------------------------------------------------------------------|
| Sealing: | IP68, EN60529 :1992 tested @ 1.054Kg/sq.cm. (15lb/sq.in.) 10m depth for 2 weeks |
| Cable Acceptance: | PX0911-PX0921 13 - 15mm O/D standard, 7-13mm with gland pack PXA911-PXA921 20 - 22mm O/D standard, 14 - 20mm with gland pack |
| Contact Accommodation: | 2.5 to 4mm ² (13 to 10AWG) conductor, single or multi stranded |
| Termination: | Axial screw terminals |
| Cable Retention force: | 15mm dia, 150N 7mm dia, 80N |
| Tightening Torques: | |
| Panel mount nut | 2.25 Nm |
| Flange & Bulkhead fixing screws | 0.9 Nm |
| Gland Nut Torques: | |
| PX0 range | |
| 7mm-9mm (grey) | 5.42Nm (48 lb/in) |
| 9mm-11mm (white) | 5.42Nm (48 lb/in) |
| 11mm-13mm (black) | 3.62Nm (32 lb/in) |
| 13mm-15mm (yellow) | 3.16Nm (28 lb/in) |
| PXA range | |
| 14mm-16mm (grey) | 5.42Nm (48 lb/in) |
| 16mm-18mm (white) | 4.06Nm (36 lb/in) |
| 18mm-20mm (black) | 4.06Nm (36 lb/in) |
| 20mm-22mm (yellow) | 3.62Nm (32 lb/in) |

CONTACT LAYOUT



Dimensions:

Overall dimensions of connectors when mated together

| | |
|-----------------|---------------------------------------------|
| PX0911 + PX0921 | 230 mm max. |
| PXA911 + PXA921 | 270 mm max. |
| PX0911 + PX0931 | 135 mm max. (to panel) |
| PXA911 + PX0931 | 175 mm max. (to panel) |
| PX0911 + PX0941 | 145 mm max. (to panel, mid point on flange) |
| PXA911 + PX0941 | 174 mm max. (to panel, mid point on flange) |