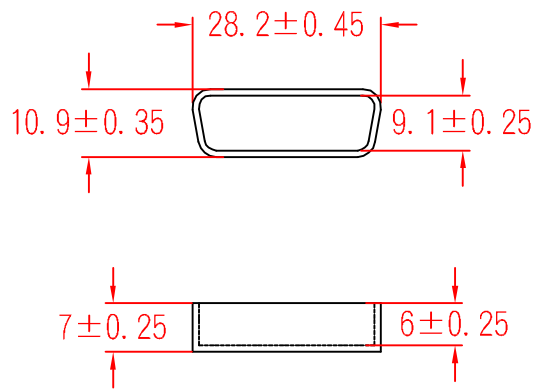


# HR-15M



		MATERIAL	ITEM NO.	
		P.E.	HR-15M	
SCALE		FINISH	NAME	
			HOUSING COVER	
$\triangle$	(. .)	TOLERANCE AS FIGURE	$\triangle$	12-04-2008
			DATE	REVISIONS K001
				R.NO.

