

# D-SUB bus connector - SUBCON-PLUS-PROFIB/SC2 - 2708232

Please be informed that the data shown in this PDF Document is generated from our Online Catalog. Please find the complete data in the user's documentation. Our General Terms of Use for Downloads are valid (<http://download.phoenixcontact.com>)



D-SUB connector, 9-pos., male connector, cable entry < 35°, bus system: PROFIBUS DP up to 12 Mbps, termination resistor can be switched on via slide switch, pin assignment: 3, 5, 6, 8; screw connection terminal blocks



## Key commercial data

package_quantity	1
GTIN	4017918960483

## Technical data

### Dimensions

Max. cable diameter	8.4 mm
Min. cable diameter	7.6 mm
Width	16.6 mm
Height	39.4 mm
Length	58 mm

### Ambient conditions

Ambient temperature (operation)	-20 °C ... 75 °C
Ambient temperature (storage/transport)	-25 °C ... 80 °C
Altitude	5000 m (For restrictions see manufacturer's declaration)

### General

Nominal voltage $U_N$	50 V
Nominal current $I_N$	100 mA
Bus system	PROFIBUS DP
Signal	PROFIBUS
Insertion/withdrawal cycles	> 200
SUBCON fixing screws	4-40 UNC
Tightening torque	0.4 Nm
Housing material	ABS, metal-plated
Pin assignment	3, 5, 6, 8

### Connection data

Connection	D-SUB connection
Number of positions	9

# D-SUB bus connector - SUBCON-PLUS-PROFIB/SC2 - 2708232

## Technical data

### Connection data

Connection method	D-SUB connector
Termination resistor	390 Ω
Termination resistor	220 Ω
Termination resistor	390 Ω (Can be connected externally)
Connection	PCB connection
Connection method	Screw connection
Conductor cross section stranded min.	0.14 mm <sup>2</sup>
Conductor cross section stranded max.	1 mm <sup>2</sup>
Conductor cross section solid min.	0.14 mm <sup>2</sup>
Conductor cross section solid max.	1.5 mm <sup>2</sup>
Min. AWG conductor cross section, stranded	26
Max. AWG conductor cross section, stranded	18
Conductor cross section AWG/kcmil min.	26
Conductor cross section AWG/kcmil max	16
Stripping length	5 mm
Tightening torque	0.4 Nm

## classifications

### eCl@ss

eCl@ss 4.0	27140816
eCl@ss 4.1	27140816
eCl@ss 5.0	27143424
eCl@ss 5.1	27143424
eCl@ss 6.0	27143424
eCl@ss 7.0	27440209
eCl@ss 8.0	27440209

### ETIM

ETIM 2.0	EC001132
ETIM 3.0	EC001132
ETIM 4.0	EC001132
ETIM 5.0	EC001132

### UNSPSC

UNSPSC 6.01	30211802
UNSPSC 7.0901	39121402
UNSPSC 11	39121402
UNSPSC 12.01	39121402
UNSPSC 13.2	39121402

## D-SUB bus connector - SUBCON-PLUS-PROFIB/SC2 - 2708232


### approvals

---

UL Recognized / cUL Recognized / CSA / cULus Recognized /

---

#### Approval details

UL Recognized 

cUL Recognized 

CSA

cULus Recognized  US

### accessories

#### Stripping tool

QUICK WIREFOX 6 - 1204384



---

PSM-STRIP-FC/PROFIB - 2744623



---

#### Data cable by the meter

## D-SUB bus connector - SUBCON-PLUS-PROFIB/SC2 - 2708232

### accessories

PSM-CABLE-PROFIB/FC - 2744652



---

### Screwdriver tools

SZF 0-0,4X2,5 - 1204504



---

SZK PH1 VDE - 1205150



---

### Data plug

SUBCON-PLUS-PROFIB/PG/SC2 - 2708245



---

SUBCON-PLUS-PROFIB/90/PG/IDC - 2313685



# D-SUB bus connector - SUBCON-PLUS-PROFIB/SC2 - 2708232

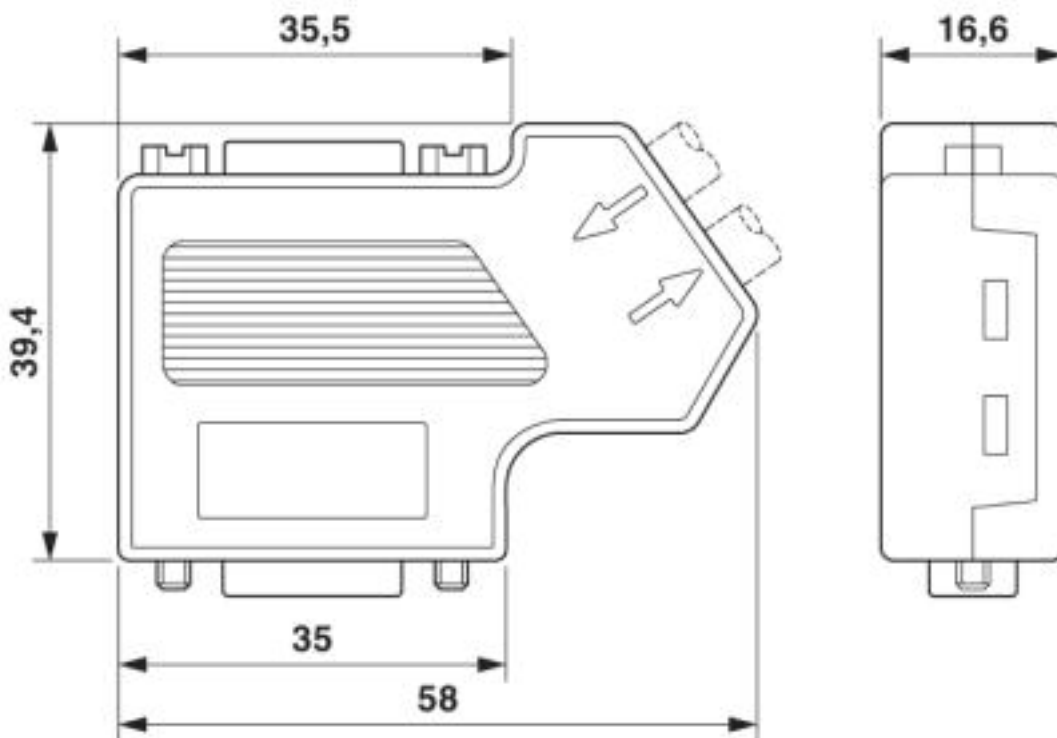
accessories

SUBCON-PLUS-PROFIB/AX/SC - 2744380



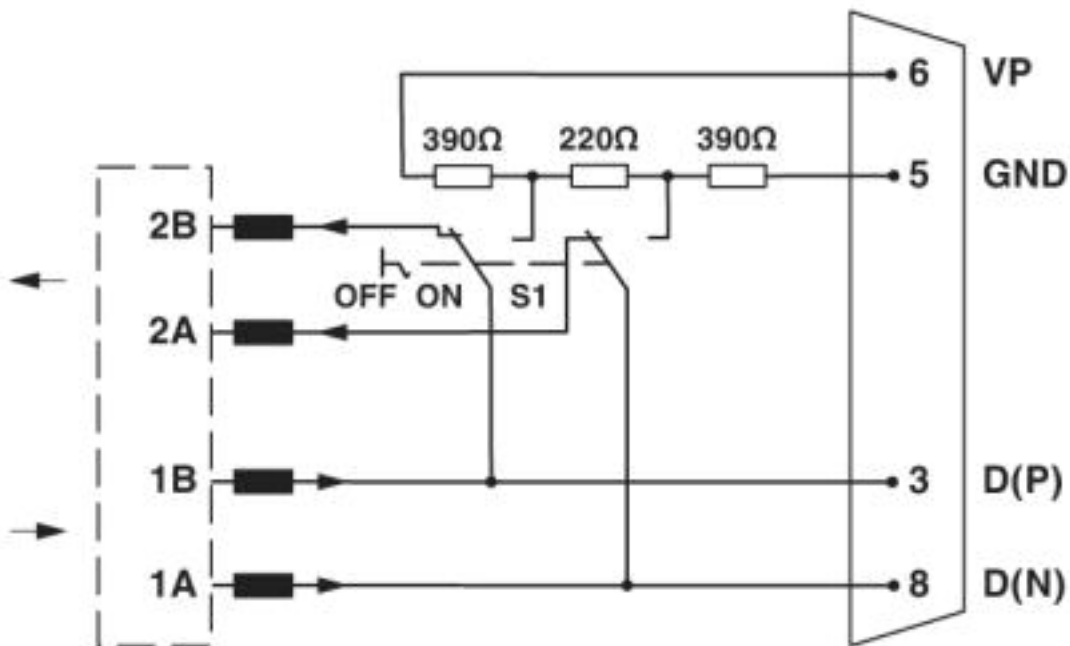
## Drawings

Dimensioned drawing



# D-SUB bus connector - SUBCON-PLUS-PROFIB/SC2 - 2708232

Circuit diagram



Functional diagram of the connector range SUBCON-PLUS-PROFIB/...

© Phoenix Contact 2013 - all rights reserved  
<http://www.phoenixcontact.com>