

# Base strip - MC 1,5/ 2-G-3,81 - 1803277

Please be informed that the data shown in this PDF Document is generated from our Online Catalog. Please find the complete data in the user's documentation. Our General Terms of Use for Downloads are valid (<http://download.phoenixcontact.com>)



Header, Nominal current: 8 A, Rated voltage (III/2): 160 V, Number of positions: 2, Pitch: 3.81 mm, Color: green, Contact surface: Tin, Assembly: Soldering

The figure shows a 10-position version of the product

## Product Features

- Versions with engagement noses for locking plugs with self-locking flanges
- Low-profile pin strips with compact pitches
- Plug-in direction parallel and vertical to the PCB
- Individual position coding by inserting coding profiles

## Key commercial data

package_quantity	250
GTIN	4017918045586

## Technical data

### Dimensions

Length	9.2 mm
Pitch	3.81 mm
Dimension a	3.81 mm
Pin dimensions	0,8 x 0,8 mm
Hole diameter	1.2 mm

### General

Range of articles	MC 1,5/...-G
Insulating material group	IIIa
Rated surge voltage (III/3)	2.5 kV
Rated surge voltage (III/2)	2.5 kV
Rated surge voltage (II/2)	2.5 kV
Rated voltage (III/3)	160 V
Rated voltage (III/2)	160 V
Rated voltage (II/2)	250 V
Connection in acc. with standard	EN-VDE
Nominal current I <sub>N</sub>	8 A
Maximum load current	8 A
Insulating material	PBT

# Base strip - MC 1,5/ 2-G-3,81 - 1803277

## Technical data

### General

<b>Inflammability class according to UL 94</b>	V0
<b>Color</b>	green
<b>Number of positions</b>	2

## classifications

### eCl@ss

<b>eCl@ss 4.0</b>	272607xx
<b>eCl@ss 4.1</b>	27260701
<b>eCl@ss 5.0</b>	27260701
<b>eCl@ss 5.1</b>	27260701
<b>eCl@ss 6.0</b>	27260704
<b>eCl@ss 7.0</b>	27440402
<b>eCl@ss 8.0</b>	27440402

### ETIM

<b>ETIM 3.0</b>	EC001121
<b>ETIM 4.0</b>	EC002637
<b>ETIM 5.0</b>	EC002637


### UNSPSC

<b>UNSPSC 6.01</b>	30211810
<b>UNSPSC 7.0901</b>	39121409
<b>UNSPSC 11</b>	39121409
<b>UNSPSC 12.01</b>	39121409
<b>UNSPSC 13.2</b>	39121409

## approvals

CSA / UL Recognized / VDE Gutachten mit Fertigungsüberwachung / cUL Recognized / GOST / IECCE CB Scheme / GOST / CCA / cULus Recognized /

### Approval details

		
<b>Usegroups</b>	<b>B</b>	<b>D</b>
Nominal voltage UN	300 V	300 V
Nominal current IN	8 A	8 A
mm <sup>2</sup> /AWG/kcmil		

# Base strip - MC 1,5/ 2-G-3,81 - 1803277

approvals

**UL Recognized**

Usegroups	B	D
Nominal voltage UN	300 V	300 V
Nominal current IN	8 A	8 A
mm <sup>2</sup> /AWG/kcmil		

**VDE Gutachten mit Fertigungsüberwachung**

Nominal voltage UN	160 V
Nominal current IN	8 A
mm <sup>2</sup> /AWG/kcmil	

**cUL Recognized**

Usegroups	B	D
Nominal voltage UN	300 V	300 V
Nominal current IN	8 A	8 A
mm <sup>2</sup> /AWG/kcmil		

**GOST**

**IECEE CB Scheme**

Nominal voltage UN	160 V
Nominal current IN	8 A
mm <sup>2</sup> /AWG/kcmil	

**CCA**

Nominal voltage UN	160 V
--------------------	-------

# Base strip - MC 1,5/ 2-G-3,81 - 1803277

## approvals

Nominal current IN	8 A
mm <sup>2</sup> /AWG/kcmil	



## accessories

### Labeled terminal marker

SK 3,81/2,8:FORTL.ZAHLEN - 0804109



---

### Coding element

CP-MSTB - 1734634



---

### Marker pen

B-STIFT - 1051993



## Base strip - MC 1,5/ 2-G-3,81 - 1803277

accessories

SK 3,81/2,8:UNBEDRUCKT - 0805399

---

SK 3,81/2,8:SO - 0805056



---

MC 1,5/10-LWL 1,5-3,81 - 1841174



---

MC 1,5/10-LWL 2,3-3,81 - 1841190



---

MC 1,5/10-LWL 4-3,81 - 1841213

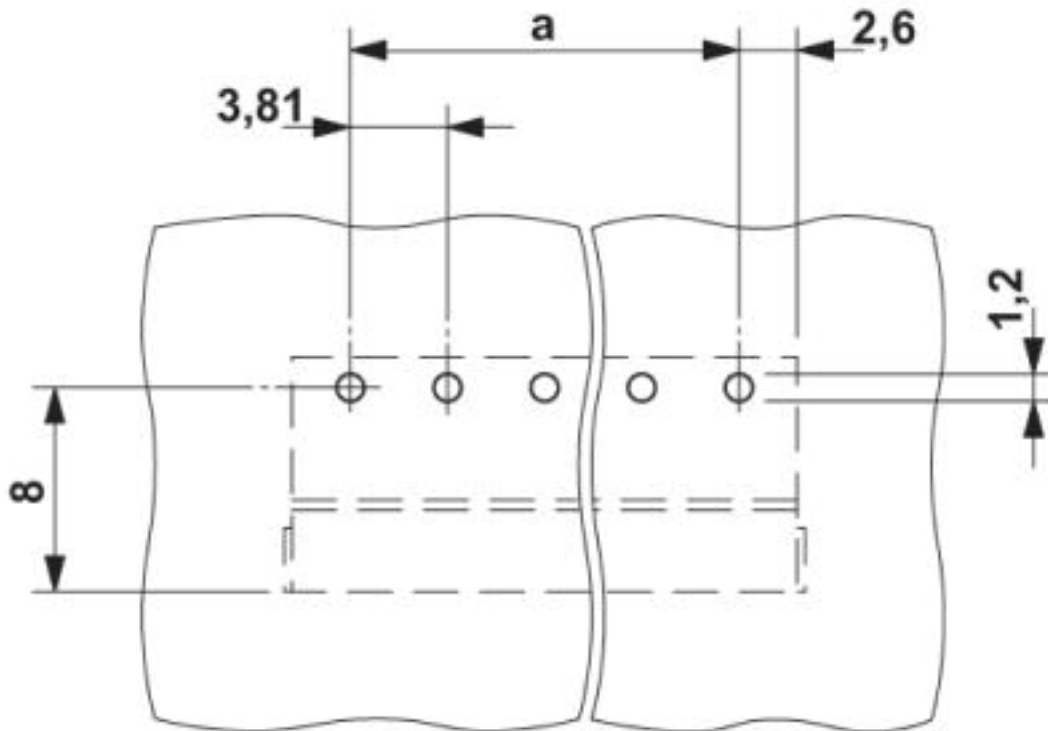


---

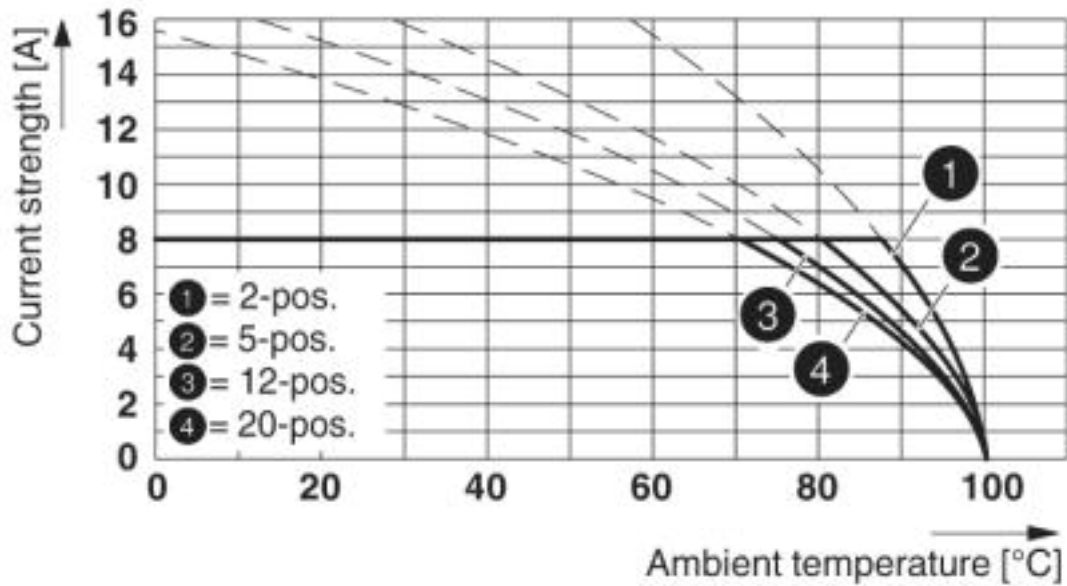
Drawings

# Base strip - MC 1,5/ 2-G-3,81 - 1803277

Drilling diagram



Diagram



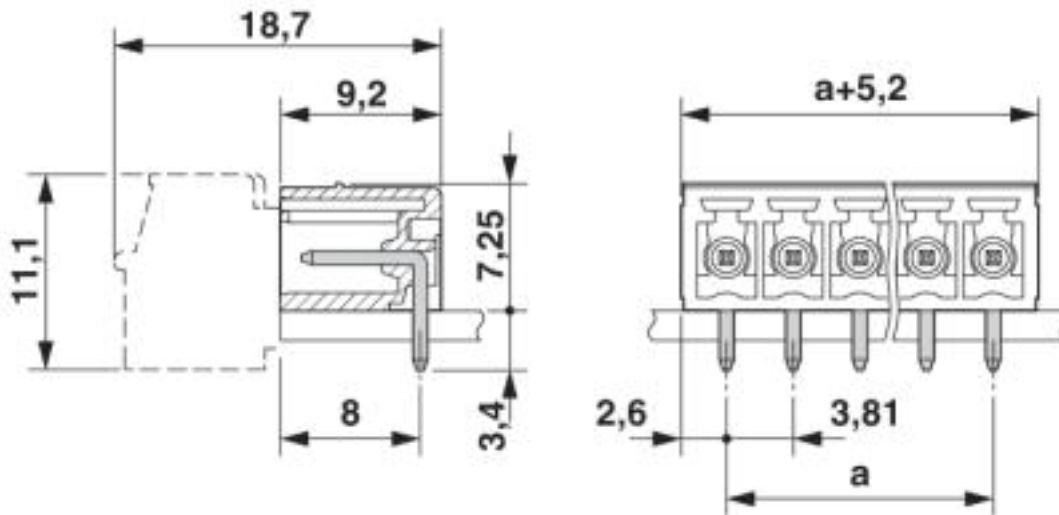
Type: MC 1,5/...-ST-3,81 with MC 1,5/...-G-3,81

## Base strip - MC 1,5/ 2-G-3,81 - 1803277

Diagram

Type: IMC 1,5/...-G-3,81 with MC 1,5/...-G-3,81

Dimensioned drawing



© Phoenix Contact 2013 - all rights reserved  
<http://www.phoenixcontact.com>