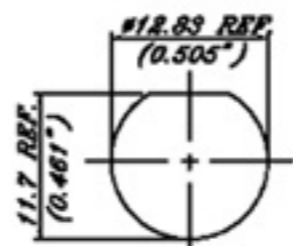
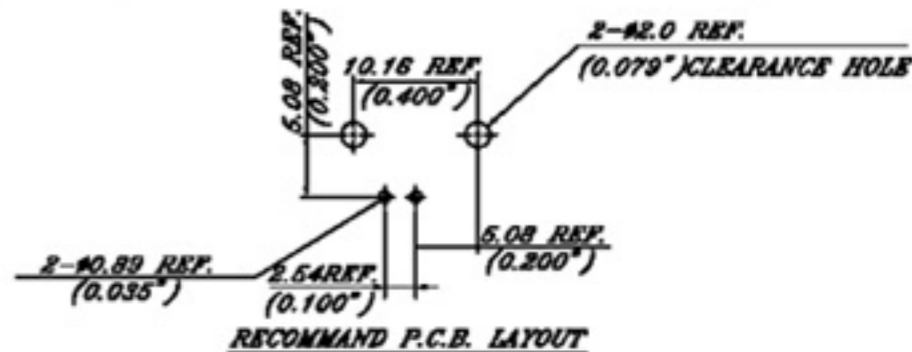


1. DIMENSION

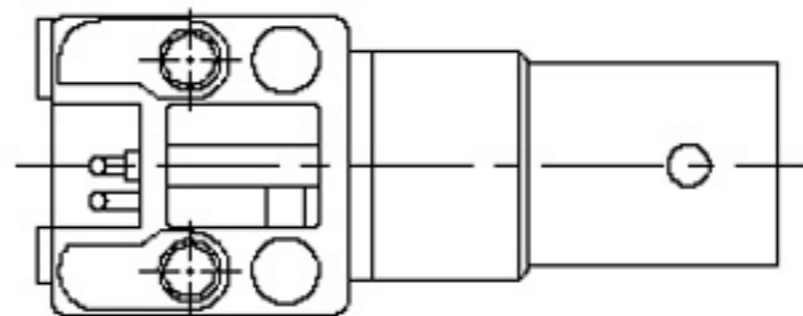
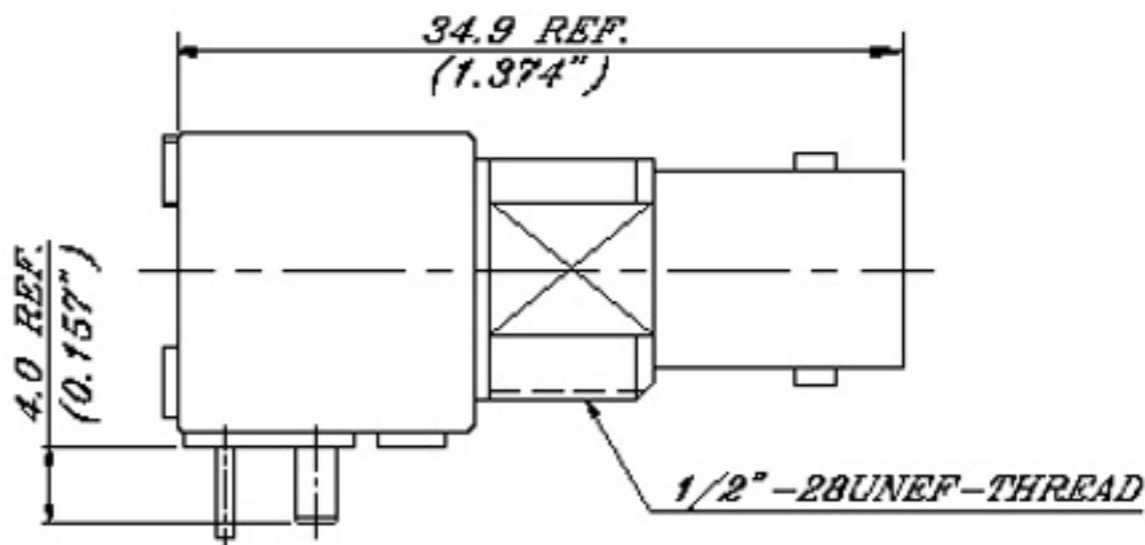
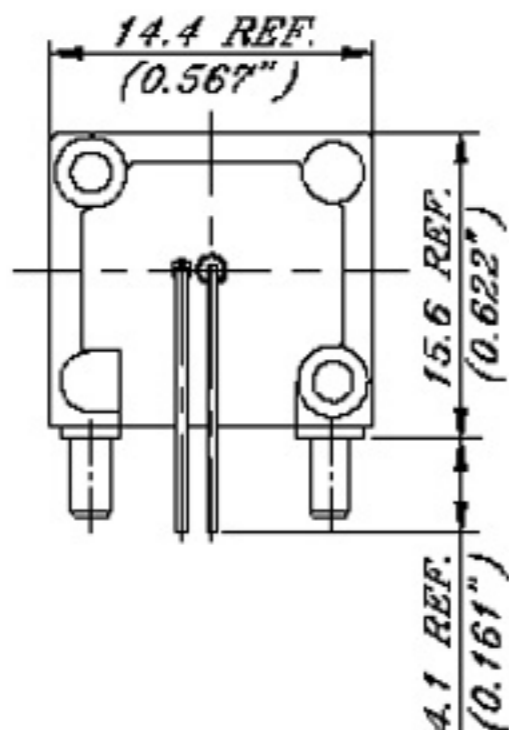
Unless otherwise specified all dimensions in millimeters & inches. Values in brackets are metric equivalents.



PANEL CUTOUT



RECOMMEND P.C.B. LAYOUT



ITEM	DESC.	MATERIAL & TREATMENT
1	CONN. BODY	NICKEL PLATING OVER ZINC ALLOY
2	CENTER CONTACT	PHOSPHORUS BRONZE WITH GOLD PLATING AT CONTACT AREA TIN PLATING AT TAIL.
3	INSULATOR	POLYPROPYLENE IIL 94HB.
4	MOUNTING POST	TIN PLATING OVER BRASS.
5	GROUNDING TERMINAL	TIN PLATING OVER STRIP COPPER.

UNLESS OTHERWISE SPECIFIED		BY	DATE	Best No. 740578		
FRACTIONS $\pm 4/10$ REMOVE BURRS & SHARP EDGES .250 MAX MACHINE FILLET RADIUS .250 R MAX ALL DIAS. TO BE CONCENTRIC WITHIN .126 T.I.R. INTERPRETATION PER MIL STD B 10 & 12		DRAWN:		MATERIAL:	TITLE: METALIZED BNC R/A PCB MOUNT RECEPTACLE (IMPEDANCE 50 OHM)	
		CHK'D:				SEE NOTES
		APPRV:		UNITS: mm	REV:	
		PROCESS:	SEE NOTES	SCALE	SHEET 1 OF 4	
		FINISH:	SEE NOTES			
FILE NO:	B-950					