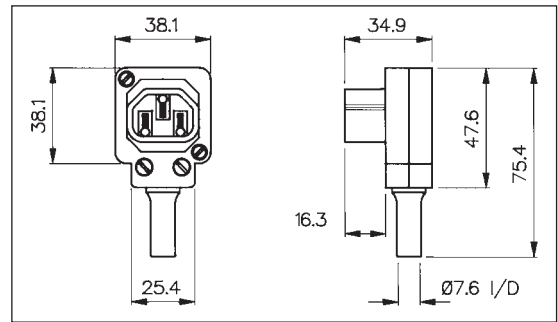


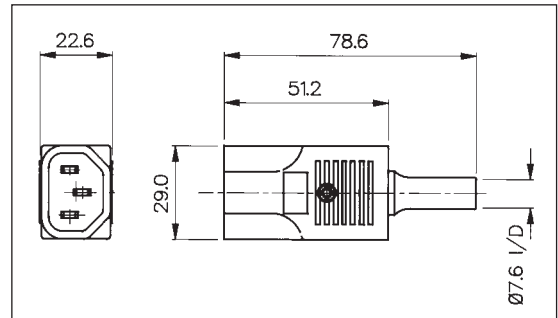
EN60 320-2-2 (Standard Sheet E Class I) Rewirable



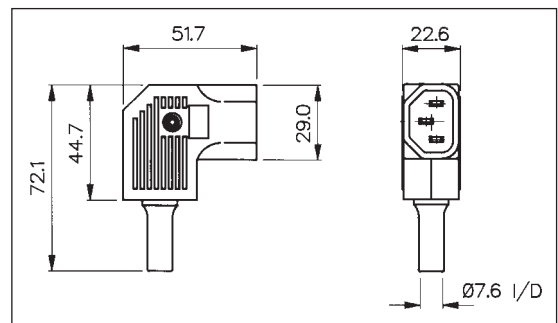
- Angled Male Connector
- Cable Mounting
- Four Position Cable Entry
- Rewirable
- Screw Terminals
- 10A, 250V a.c.



- Straight Male Connector
- Cable Mounting
- Rewirable
- Screw Terminals
- 10A, 250V a.c.



- Side Entry Male Connector
- Cable Mounting
- Rewirable
- Screw Terminals
- 10A, 250V a.c.



| Specification | PX0685 | PX0686 | PX0686/SE |
|------------------------|----------------------------------------------------------|----------------------------------------------|----------------------------------------------|
| Terminations: | Screw Terminals | Screw Terminals | Screw Terminals |
| Max. Rating: | 10A, 250V a.c. | 10A, 250V a.c. | 10A, 250V a.c. |
| Contact Resistance: | <10mΩ | <10mΩ | <10mΩ |
| Insulation Resistance: | >10 ⁴ MΩ | >10 ⁴ MΩ | >10 ⁴ MΩ |
| A.C. Breakdown: | Pole-Pole 5.2kV. Poles-Accessible Parts 6kV | Pole-Pole 5kV. Poles-Accessible Parts 5kV | Pole-Pole 5kV. Poles-Accessible Parts 5kV |
| Operating Temp. Range: | -40°C to +70°C | -40°C to +70°C | -40°C to +70°C |
| Withdrawal Force: | 10N (Min.) 50N (Max.) | 10N (Min.) 50N (Max.) | 10N (Min.) 50N (Max.) |
| Mouldings: | Nylon, Flammability Rating UL 94V-0 | Nylon, Flammability Rating UL 94V-0 | Nylon, Flammability Rating UL 94V-0 |
| Contacts: | Brass, Nickel Plated. | Brass, Nickel Plated. | Brass, Nickel Plated. |
| Approvals: | | | |
| Accessories / Notes: | Unique octagon module allows choice of 4 cable positions | | |
| Mating Connectors: | PX0675, PX0695, PX0783, PX0793 | PX0675, PX0695, PX0783, PX0793, PX0714 | PX0675, PX0695, PX0783, PX0793, PX0714 |