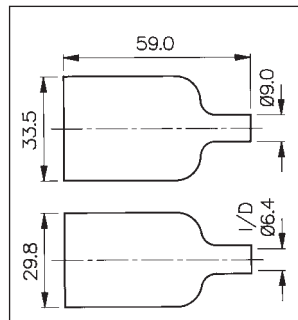
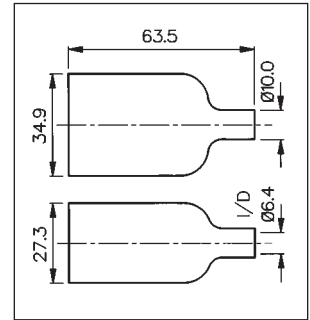
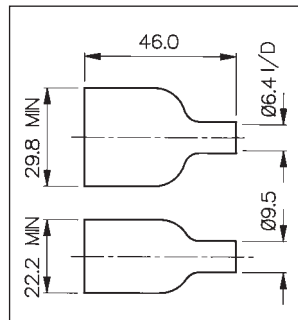
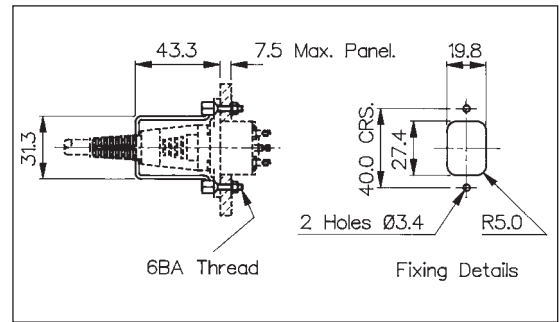


## Accessories



- Retaining Clip
- Prevents Accidental Removal
- Two Types Available



- PVC Boots
- Protects Rear of Connector
- Protects Against Accidental Electric Shock

Specification	KT0006, KT0009	PNo. 11328	PNo. 11987	PNo. 12075
	Retaining Clips to prevent accidental removal of connector. KT0006 for PX0580, PX0590, PX0675, PX0793, PXS580, PXT580  KT0009 for PF0001, PF0001/PC, PF0002, PF0030	Insulation boot for PX0575, PX0579, PX0580 PX0590 PX0595 PXS575 PXS579 PXS580 PXT575 PXT579 PXT580 (except PC Versions)	Insulation boot for PF range (except /PC versions and PF0030, PF0033)	Insulation boot for PX0675, PX0695 PX0783 PX0793 (except /PC versions)
Operating Temp. Range:		-20°C to +60°C	-20°C to +60°C	-20°C to +60°C
Max. Working Voltage:		250V a.c.	250V a.c.	250V a.c.
Flash Tested:		2kV a.c.	2kV a.c.	2kV a.c.
Material:	Clip: Stainless Steel, all other parts Brass, Nickel Plated	P.V.C., Flammability Rating UL94V-0	P.V.C., Flammability Rating UL94V-0	P.V.C., Flammability Rating UL94V-0