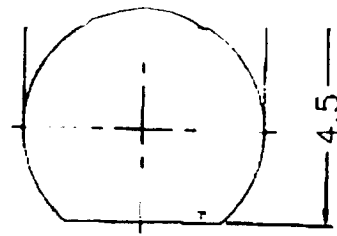
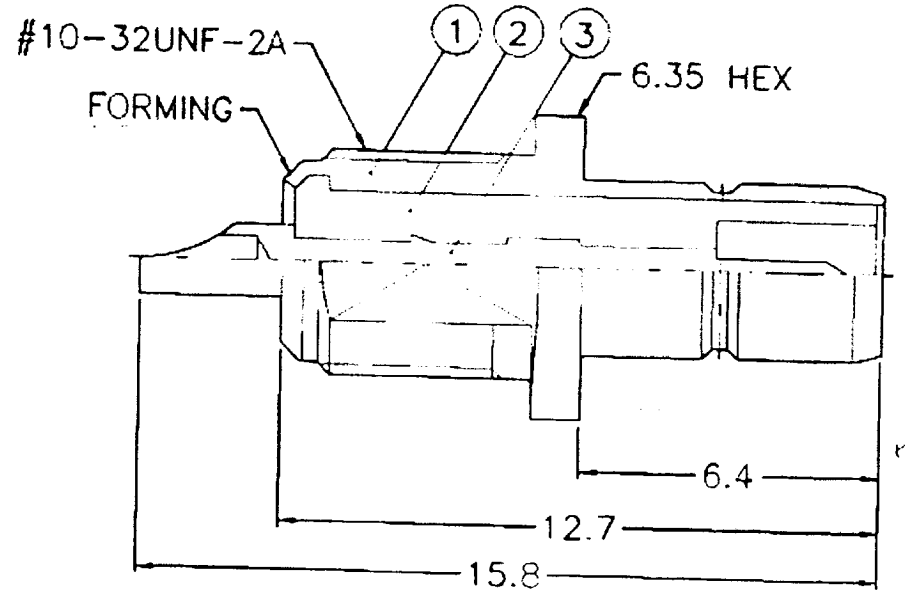
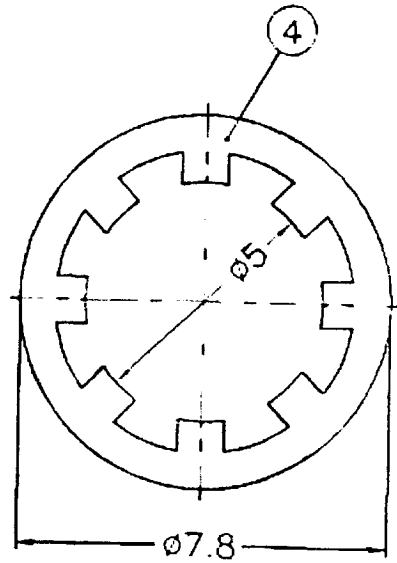
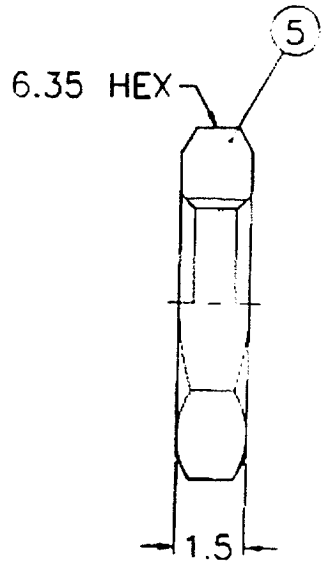


SMB-E / 741132



RECOMMENDED
MOUNTING HOLE



(PLATING THICKNESS IN MICRO-INCHES)
 PER QQ-B-626
 PER QQ-B-613
 L. 3 MIN. THICK OVER NICKEL PL. 100 MIN. THICK
 COPPER STRIKE
 L. 30 MIN. THICK OVER NICKEL PL. 100 MIN. THICK
 COPPER STRIKE
 MIL-P-19468

| | |
|--------|----------|
| NOTE 1 | NOTE 3 |
| NOTE 2 | NOTE 3 |
| NOTE 1 | NOTE 4 |
| NOTE 5 | MATERIAL |