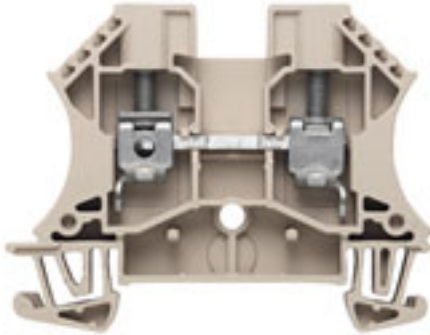


**W-Series  
WDU 6**

**Weidmüller Interface GmbH & Co. KG**  
Klingenbergstraße 16  
D-32758 Detmold  
Germany  
Fon: +49 5231 14-0  
Fax: +49 5231 14-292083  
www.weidmueller.com



The versatile and extensive range of products - from 0.05 mm<sup>2</sup> to 300 mm<sup>2</sup> - means that you have diverse options for your applications at your disposal. Hardened steel for mechanical strength and high-quality tinned copper for optimum conductivity. All materials comply with RoHS requirements and have been tested to current environment guidelines.

**General ordering data**

Type	WDU 6
Order No.	<a href="#">102020000</a>
Version	W-Series, Feed-through terminal, Rated cross-section: 6 mm <sup>2</sup> , Screw connection, Direct mounting
GTIN (EAN)	4008190163440
Qty.	100 pc(s).

## W-Series WDU 6

**Weidmüller Interface GmbH & Co. KG**  
 Klingenbergstraße 16  
 D-32758 Detmold  
 Germany  
 Fon: +49 5231 14-0  
 Fax: +49 5231 14-292083  
 www.weidmueller.com

## Technische Daten

### Dimensions and weights

Length	60 mm	Width	7.9 mm
Height	46.5 mm	Height of lowest version	47 mm
Weight	14.8 g	Net weight	12.75 g

### Temperatures

Operating temperature		Storage temperature	
Continuous operating temp., min.	-50 °C	Continuous operating temp., max.	120 °C

### Rated data IECEx/ATEX

Certificate No. (ATEX)	KEMA98ATEX1683U	ATEX certificate	KEMA98ATEX1683U_d.pdf
ATEX certificate	KEMA98ATEX1683U_e.pdf	IEC Ex certificate	IECEXULD05.0008U_e.pdf
Max. voltage (ATEX)	690 V	Current (ATEX)	36 A
Wire cross section max. (ATEX)	6 mm <sup>2</sup>	Voltage, cross-connection	CrossConnectionGuide.pdf
Operating temperature range	For operating temperature range see EC Design Test Certificate / IEC Ex-Certificate of Conformity	Marking EN 60079-7	
Marking ATEX Directive 94/9/EC	II 2 G D		Ex e II

### 2 clampable wires (H05V/H07V) same cross-section (rated connection)

Wire connection cross section, finely stranded, two clampable wires, min.	0.5 mm <sup>2</sup>	Wire cross-section, finely stranded, two clampable wires, max.	2.5 mm <sup>2</sup>
Wire connection cross section, finely stranded with wire-end ferrules DIN 46228/1, 2 clampable wires, min.	0.5 mm <sup>2</sup>	Wire connection cross section, finely stranded with wire-end ferrules DIN 46228/1, 2 clampable wires, max.	2.5 mm <sup>2</sup>

### Additional technical data

Explosion-tested version	Yes	Installation advice	Direct mounting
Number of similar terminals	1	Open sides	right
Type of mounting		Version	Screw connection, for screwable cross-connection, One end without connector
	Snap-on		

### CSA ratings data

Certificate No. (CSA)	200039-1057876	Voltage size C (CSA)	600 V
Current size C (CSA)	50 A	Wire cross section max. (CSA)	8 AWG
Wire cross section min. (CSA)	22 AWG		

## W-Series WDU 6

**Weidmüller Interface GmbH & Co. KG**  
 Klingenbergstraße 16  
 D-32758 Detmold  
 Germany  
 Fon: +49 5231 14-0  
 Fax: +49 5231 14-292083  
 www.weidmueller.com

## Technische Daten

### Clampable wires (rated connection)

Type of connection	Screw connection	Stripping length	12 mm
Blade size	0.8 x 4.0 mm	Connection direction	on side
Number of connections	2	Clamping range, rated connection, min.	0.22 mm <sup>2</sup>
Clamping range, rated connection, max.	10 mm <sup>2</sup>	Clamping screw	M 3.5
Tightening torque, min.	0.8 Nm	Tightening torque, max.	1.6 Nm
Torque level with DMS electric screwdriver	3	Gauge to IEC 60947-1	A5
Wire connection cross section, solid core, max. rated connection	0.5 mm <sup>2</sup>	Wire connection cross section, solid core max. rated connection	10 mm <sup>2</sup>
Wire connection cross section, stranded, rated connection, min.	1.5 mm <sup>2</sup>	Wire connection cross section, stranded, rated connection, max.	10 mm <sup>2</sup>
Wire connection cross section, finely stranded, max.	10 mm <sup>2</sup>	Wire connection cross-section, finely stranded, min.	0.5 mm <sup>2</sup>
Wire connection cross section, finely stranded with wire-end ferrules DIN 46228/1, rated connection, min.	0.5 mm <sup>2</sup>	Wire connection cross section, finely stranded with wire-end ferrules DIN 46228/1, rated connection, max.	6 mm <sup>2</sup>
Cross-section for connected conductor, finely stranded with wire-end ferrules and plastic collars DIN 46228/4, rated connection, min.	0.5 mm <sup>2</sup>	Wire connection cross-section, finely stranded with wire-end ferrules and plastic collars DIN 46228/4, rated connection, max.	6 mm <sup>2</sup>
Twin wire-end ferrules, min.	0.5 mm <sup>2</sup>	Twin wire-end ferrules, max.	4 mm <sup>2</sup>
Wire connection cross section AWG, min.	AWG 26	Wire connection cross section AWG, max.	AWG 8

### Rated data

Rated cross-section	6 mm <sup>2</sup>	Rated voltage	800 V
Rated impulse withstand voltage	8 kV	Rated current	41 A
Current at maximum wires	57 A	Standards	IEC 60947-7-1
Pollution severity	3		

### UL ratings data

Certificate No. (UR)	E60693	Voltage size C (UR)	600 V
Current size C (UR)	50 A	Conductor size Factory wiring max. (UR)	8 AWG
Conductor size Factory wiring min. (UR)	22 AWG	Conductor size Field wiring max. (UR)	8 AWG

### Material data

Material	Wemid	Colour	Dark Beige
UL 94 flammability rating	V-0		

### System specifications

Product family	W-Series	Type of connection	Screw connection
Connection direction	on side	Number of levels	1
Number of connections	2	No. of clamping points per level	2
Number of potentials per level	1	Levels cross-connected internally	No
Mounting rail	TS 35	End cover plate required	Yes

### Classifications

ETIM 3.0	EC000897	UNSPSC	30-21-18-11
eClass 5.1	27-14-11-20	eClass 6.2	27-14-11-20
eClass 7.1	27-14-11-20		

Erstellungs-Datum December 13, 2013 11:30:42 AM CET

**Datenblatt**

**W-Series  
WDU 6**

**Weidmüller Interface GmbH & Co. KG**  
 Klingenbergstraße 16  
 D-32758 Detmold  
 Germany  
 Fon: +49 5231 14-0  
 Fax: +49 5231 14-292083  
 www.weidmueller.com

**Technische Daten**

**Product information**

Descriptive text ordering data	1000 VDC rated voltage tested. For colour versions, see section on W-series Accessories - specific functions.
Descriptive text technical data	Note max. current of terminal (57 A) when using WQV! Wire connection H07V-..10 and AWG 8 with tightening torque of 1.4-1.6 Nm.
Descriptive text accessories	Socket and test plug refer to W-series Accessories section Only 400 V when using the shielding rail LS 2,8 1056400000.

**Approvals**

Approvals



ROHS

Conform

**Datenblatt**

**W-Series**  
**WDU 6**

**Weidmüller Interface GmbH & Co. KG**  
Klingenbergstraße 16  
D-32758 Detmold  
Germany  
Fon: +49 5231 14-0  
Fax: +49 5231 14-292083  
[www.weidmueller.com](http://www.weidmueller.com)

**Zeichnungen**

