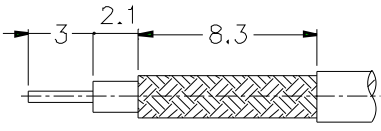
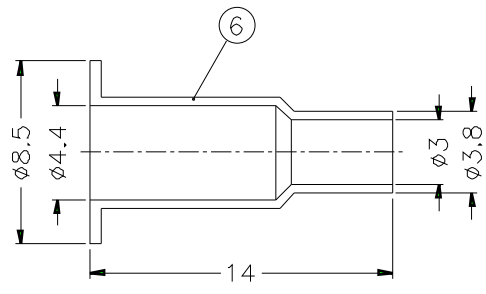
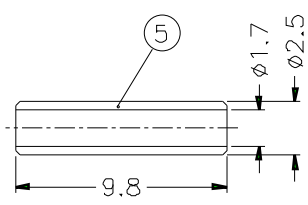
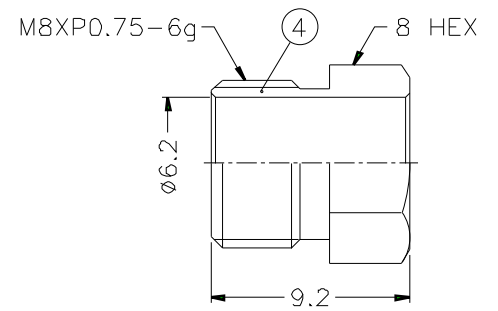
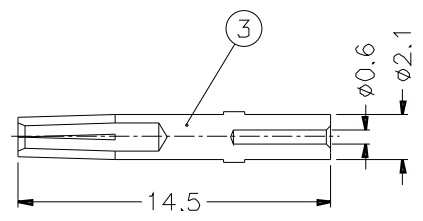
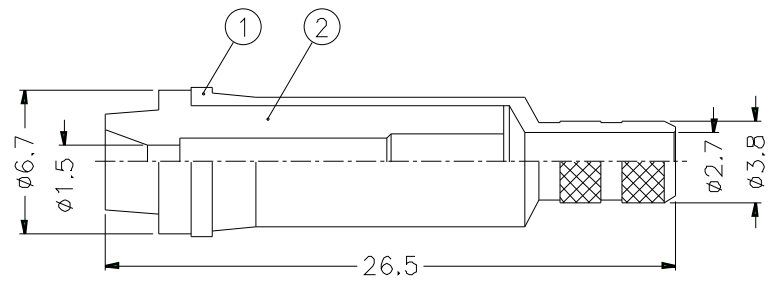


1 2 3 4 5 6 7 8

REVISIONS		
ISS	ZONE	DESCRIPTION\PER REQUEST\DATE



RECOMMENDED
CABLE STRIPPING DIM'S



- NOTES: FINISH (PLATING THICKNESS IN MICRO-INCHES)
- BRASS PER QQ-B-626
 - NICKEL PL. 100 MIN. THICK OVER COPPER STRIKE
 - PHOSPHOR BRONZE PER QQ-B-750
 - GOLD PL. 3 MIN. THICK OVER NICKEL PL. 100 MIN. THICK OVER COPPER STRIKE
 - JIS H 3260, C 3501

- CRIMPED FERRULE
HEX CRIMP SIZE .178"
- CRIMPED CONTACT PIN
HEX CRIMP SIZE .068"

6	FERRULE	NOTE 5	NOTE 2	1	FR-85/44-38/3 X14
5	SLEEVE	DELRIN	NATURAL	1	SL-25/17X98
4	HEX NUT	NOTE 1	NOTE 2	1	FME6121A1-4-8/62
3	CONTACT PIN	NOTE 3	NOTE 4	1	FME6121B1-3-21/06
2	INSULATOR	DELRIN	NATURAL	1	FME6121B1-2-50-B
1	BODY	NOTE 1	NOTE 2	1	FME6121E1-1-38/27
NO.	DESCRIPTION	MATERIAL	FINISH	Q'TY	DRAWING NO.

DIMENSIONS ARE IN MILLIMETERS			PART NO.	
UNLESS OTHERWISE SPECIFIED TOLERANCES			FME6121E1-ND3G-5-50	
05-6	= ±0.2		APPROVED	DATE
6-30	= ±0.4			10-11-01'
30-120	= ±0.6		CHECKED	DATE
120-315	= ±1			10-11-01'
315-1000	= ±1.6		DRAWN	DATE
1000-2000	= ±2.4			10-11-01'
SCALE	3/1	ISSUE	FILE NO.	
		A		

Amphenol

TITLE FME ROTATING NIPPLE
(FOR RG-174/U,188A/U,316/U)

DRAWING NO. KJ-FME6121E1-ND3G-316U-50

ITEM NO.

1 2 3 4 5 6 7 8

F
E
D
C
B
A

F
E
D
C
B
A