

1

2

3

4

5

6

7

A

A

B

B

C

C

D

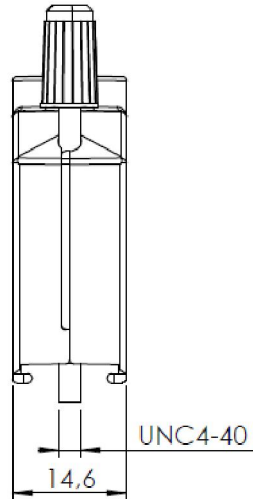
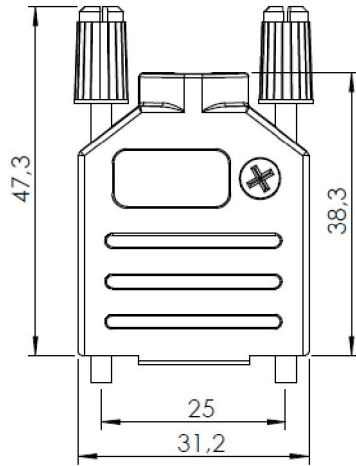
D

E

E

F

F



**Material**

Zinc die-cast

**Delivery includes**

- 1 half-sheets (2x)
- 2 knurled screws (2x)
- 3 screw (1x)
- 4 half shells of strain relief (8x)

**SPECIFICATION**

**MATERIAL**

**Features**

**Material and finish**

Zinc-die-cast, nickel plated

**Temperature range**

-40° to +120°

**Cable diameter**

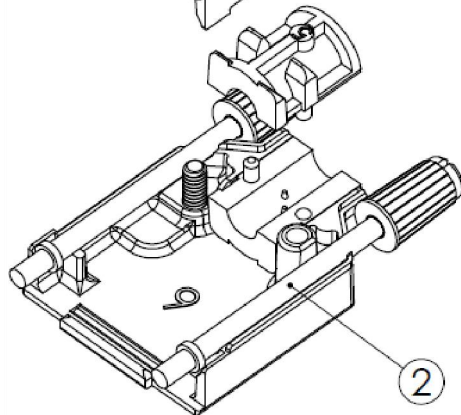
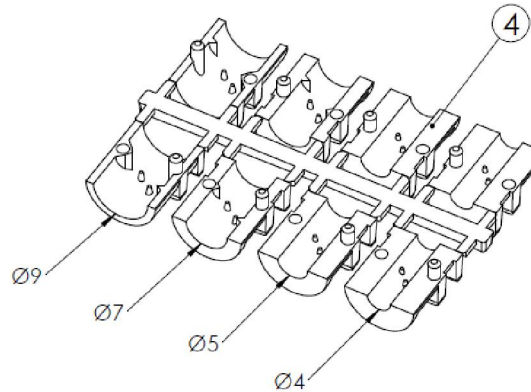
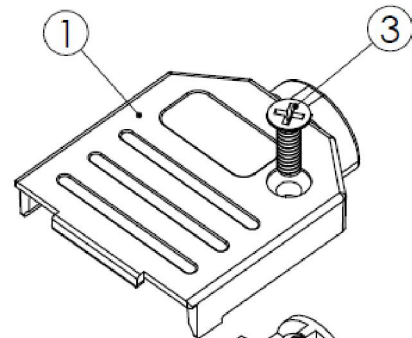
4.0mm - 9.0mm

**Attenuation factor**

>40 dB between 30Mhz and 1Ghz

**Requirements**

VDE 0871, FCC 20780, 89/336/EU



|   |  |            |            | Date                             | Name     | Title     |
|---|--|------------|------------|----------------------------------|----------|-----------|
|   |  |            |            | Drawn                            | 18.12.04 | Ken       |
|   |  |            |            | Approved                         | 25.09.08 | W.Hellwig |
| ③ | update of detailed specification, added sheets | 28.02.2014 | A. Siozios |                                  |          |           |
| ② | Sheet 2 added                                  | 25.09.08   | N.Schulz   | <b>ASSMANN</b><br>WSW components |          |           |
| ① | drawing revised                                | 04.07.07   | N.Schulz   |                                  |          |           |
|   | Modification                                   | Date       | Name       |                                  |          |           |

|                    |           |
|--------------------|-----------|
| <b>AMET-09 RS</b>  |           |
| Drawing-No.        | Sheet     |
| <b>ASS 0420 CO</b> | rev03     |
| Replace            | Sheet 1/5 |

G

G

H

H

1

2

3

4

5

6

7

1

2

3

4

5

6

7

A

A

B

B

C

C

D

D

E

E

F

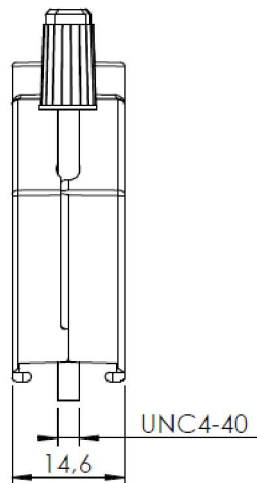
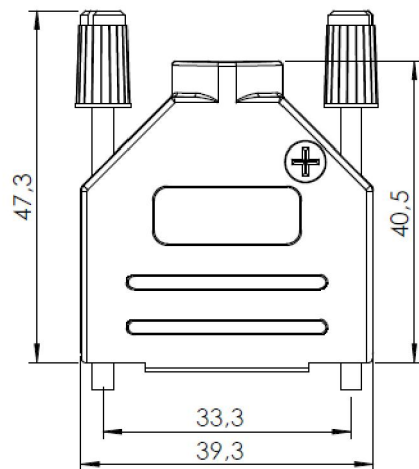
F

G

G

H

H

**Material**

Zinc die-cast

**Delivery includes**

- |   |                              |      |
|---|------------------------------|------|
| 1 | half-sheets                  | (2x) |
| 2 | knurled screws               | (2x) |
| 3 | screw                        | (1x) |
| 4 | half shells of strain relief | (8x) |

**SPECIFICATION****MATERIAL****Features****Material and finish**

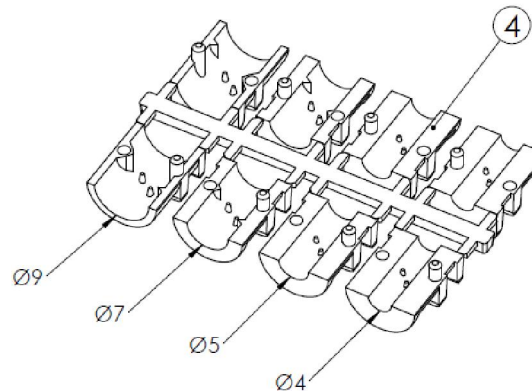
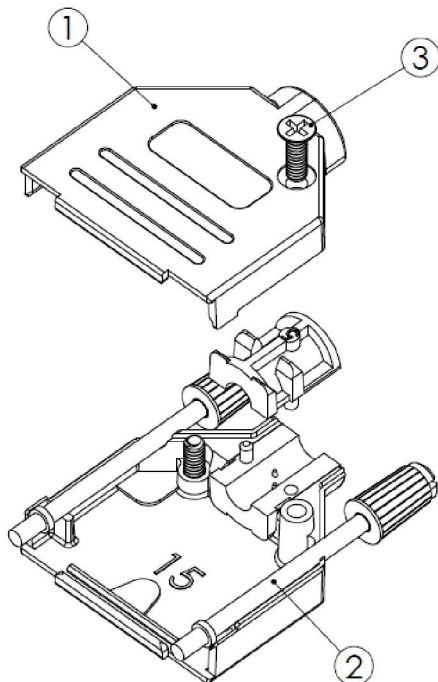
Zinc-die-cast, nickel plated

**Temperature range**

-40° to +120°



**Cable diameter**

4.0mm - 9.0mm

**Attenuation factor**>40 dB between  
30Mhz and 1Ghz**Requirements**VDE 0871, FCC 20780,  
89/336/EU

|   |  |            | Date       | Name     | Title     |
|---|--|------------|------------|----------|-----------|
|   |  |            | Drawn      | 18.12.04 | Ken       |
|   |  |            | Approved   | 25.09.08 | W.Hellwig |
| ③ | update of detailed specification, added sheets | 28.02.2014 | A. Siozios |          |           |
| ② | Sheet 2 added                                  | 25.09.08   | N.Schulz   |          |           |
| ① | drawing revised                                | 04.07.07   | N.Schulz   |          |           |
|   | Modification                                   | Date       | Name       |          |           |

|  |  |             |       |
|--|--|-------------|-------|
| <br> |  | Drawing-No. | Sheet |
|  |  | ASS 0420 CO | rev03 |
| Replace  |  | Sheet       | 2/5   |

1

2

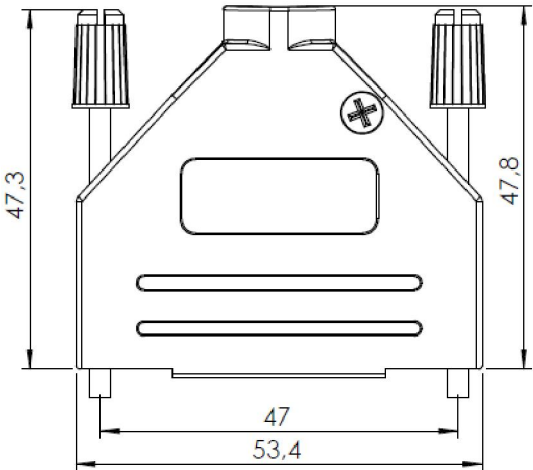
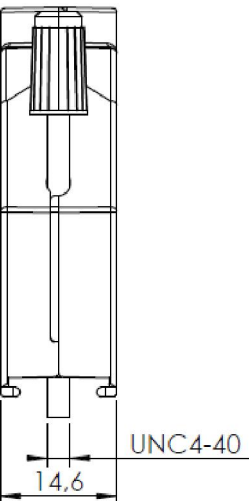
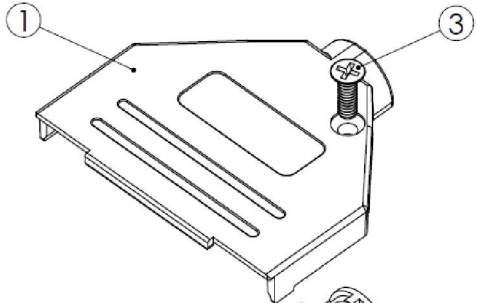
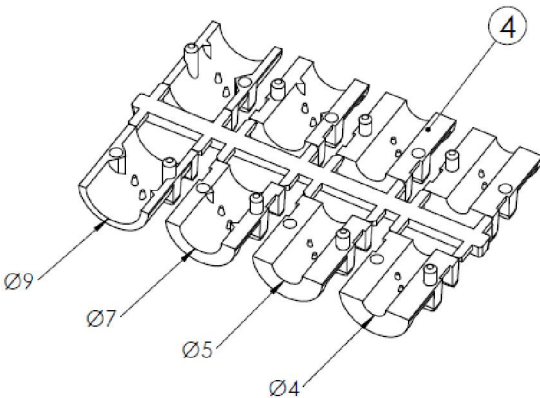
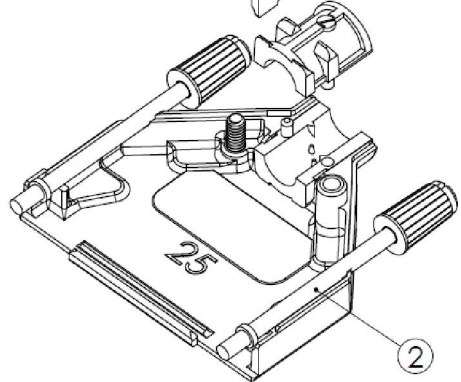

3

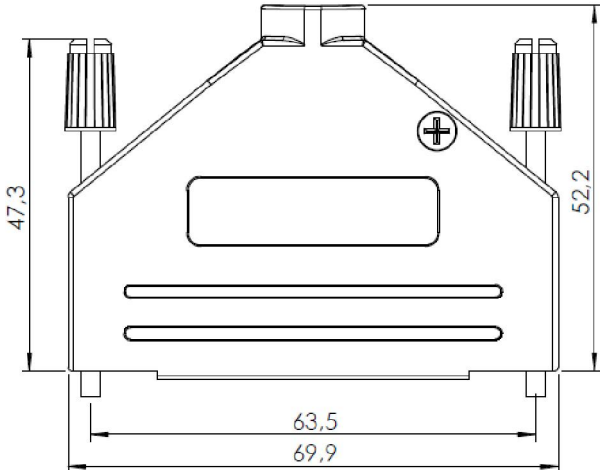
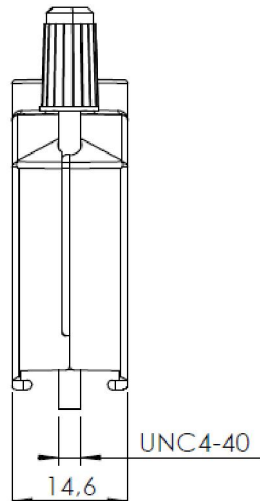
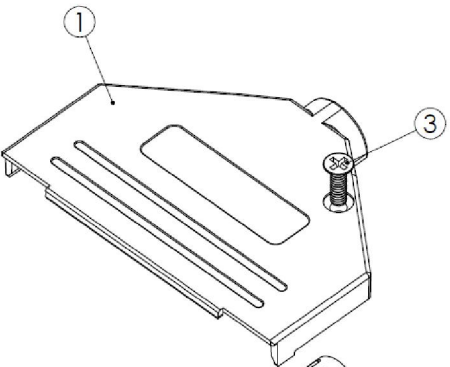
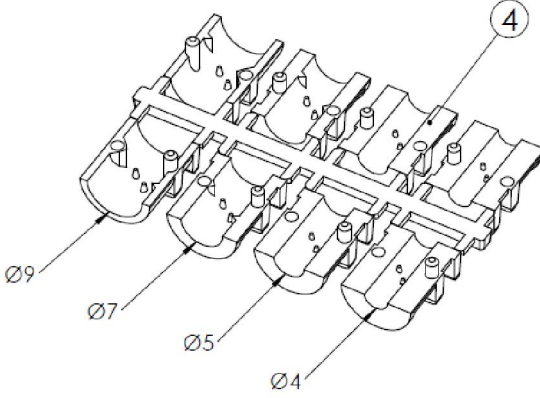
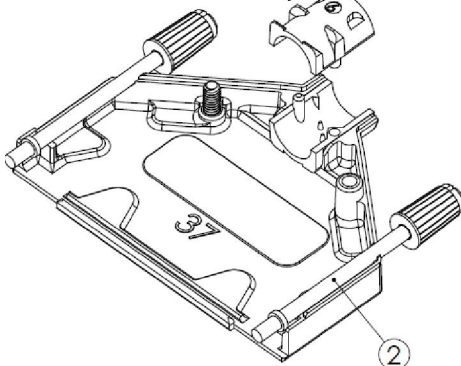
4

5

6

7

|  | 1  | 2          | 3   | 4 | 5  | 6    | 7    |  |            |            |                 |          |          |                   |          |          |  |      |   |      |       |                |     |            |                   |           |  |  |             |       |             |       |         |           |   |
|--|--|------------|---|---|--|------|------|--|------------|------------|-----------------|----------|----------|-------------------|----------|----------|--|------|---|------|-------|----------------|-----|------------|-------------------|-----------|--|--|-------------|-------|-------------|-------|---------|-----------|---|
| A  |   |            |   |   | <p><b>Material</b><br/>Zinc die-cast</p> <p><b>Delivery includes</b></p> <table border="0"> <tr> <td>1</td> <td>half-sheets</td> <td>(2x)</td> </tr> <tr> <td>2</td> <td>knurled screws</td> <td>(2x)</td> </tr> <tr> <td>3</td> <td>screw</td> <td>(1x)</td> </tr> <tr> <td>4</td> <td>half shells of strain relief</td> <td>(8x)</td> </tr> </table> |      | 1    | half-sheets                                      | (2x)       | 2          | knurled screws  | (2x)     | 3        | screw             | (1x)     | 4        | half shells of strain relief   | (8x) | <p><b>SPECIFICATION</b></p> <p><b>MATERIAL</b><br/>Features</p> <p><b>Material and finish</b><br/>Zinc-die-cast,nickel plated</p> <p><b>Temperature range</b><br/>-40° to +120°</p> <p><b>Cable diameter</b><br/>4.0mm - 9.0mm</p> <p><b>Attenuation factor</b><br/>&gt;40 dB between<br/>30Mhz and 1Ghz</p> <p><b>Requirements</b><br/>VDE 0871,FCC 20780,<br/>89/336/EU</p> |      | A     |                |     |            |                   |           |  |  |             |       |             |       |         |           |   |
| 1  | half-sheets  | (2x)       |   |   |  |      |      |  |            |            |                 |          |          |                   |          |          |  |      |   |      |       |                |     |            |                   |           |  |  |             |       |             |       |         |           |   |
| 2  | knurled screws   | (2x)       |   |   |  |      |      |  |            |            |                 |          |          |                   |          |          |  |      |   |      |       |                |     |            |                   |           |  |  |             |       |             |       |         |           |   |
| 3  | screw  | (1x)       |   |   |  |      |      |  |            |            |                 |          |          |                   |          |          |  |      |   |      |       |                |     |            |                   |           |  |  |             |       |             |       |         |           |   |
| 4  | half shells of strain relief   | (8x)       |   |   |  |      |      |  |            |            |                 |          |          |                   |          |          |  |      |   |      |       |                |     |            |                   |           |  |  |             |       |             |       |         |           |   |
| B  |  |            |   |   |  |      |      |  | B          |            |                 |          |          |                   |          |          |  |      |   |      |       |                |     |            |                   |           |  |  |             |       |             |       |         |           |   |
| C  |  |            |   |   |  |      |      |  | C          |            |                 |          |          |                   |          |          |  |      |   |      |       |                |     |            |                   |           |  |  |             |       |             |       |         |           |   |
| D  |  |            |    |   |  |      |      |  | D          |            |                 |          |          |                   |          |          |  |      |   |      |       |                |     |            |                   |           |  |  |             |       |             |       |         |           |   |
| E  |  |            |   |   |  |      |      |  | E          |            |                 |          |          |                   |          |          |  |      |   |      |       |                |     |            |                   |           |  |  |             |       |             |       |         |           |   |
| F  |  |            |   |   |  |      |      |  | F          |            |                 |          |          |                   |          |          |  |      |   |      |       |                |     |            |                   |           |  |  |             |       |             |       |         |           |   |
| G  |  |            |   |   |  |      |      |  | G          |            |                 |          |          |                   |          |          |  |      |   |      |       |                |     |            |                   |           |  |  |             |       |             |       |         |           |   |
| H  |  |            |   |   |  |      |      |  | H          |            |                 |          |          |                   |          |          |  |      |   |      |       |                |     |            |                   |           |  |  |             |       |             |       |         |           |   |
|  |  |            | <table border="1"> <thead> <tr> <th>Modification</th> <th>Date</th> <th>Name</th> </tr> </thead> <tbody> <tr> <td>③ update of detailed specification, added sheets</td> <td>28.02.2014</td> <td>A. Siozios</td> </tr> <tr> <td>② Sheet 2 added</td> <td>25.09.08</td> <td>N.Schulz</td> </tr> <tr> <td>① drawing revised</td> <td>04.07.07</td> <td>N.Schulz</td> </tr> </tbody> </table> |   | Modification   | Date | Name | ③ update of detailed specification, added sheets | 28.02.2014 | A. Siozios | ② Sheet 2 added | 25.09.08 | N.Schulz | ① drawing revised | 04.07.07 | N.Schulz | <table border="1"> <thead> <tr> <th>Date</th> <th>Name</th> <th>Title</th> </tr> </thead> <tbody> <tr> <td>Drawn 18.12.04</td> <td>Ken</td> <td rowspan="2">AMET-25 RS</td> </tr> <tr> <td>Approved 25.09.08</td> <td>W.Hellwig</td> </tr> </tbody> </table> |      | Date  | Name | Title | Drawn 18.12.04 | Ken | AMET-25 RS | Approved 25.09.08 | W.Hellwig | <table border="1"> <tr> <td>Drawing-No.</td> <td>Sheet</td> </tr> <tr> <td>ASS 0420 CO</td> <td>rev03</td> </tr> <tr> <td>Replace</td> <td>Sheet 3/5</td> </tr> </table> |  | Drawing-No. | Sheet | ASS 0420 CO | rev03 | Replace | Sheet 3/5 | G |
| Modification                                     | Date   | Name       |   |   |  |      |      |  |            |            |                 |          |          |                   |          |          |  |      |   |      |       |                |     |            |                   |           |  |  |             |       |             |       |         |           |   |
| ③ update of detailed specification, added sheets | 28.02.2014   | A. Siozios |   |   |  |      |      |  |            |            |                 |          |          |                   |          |          |  |      |   |      |       |                |     |            |                   |           |  |  |             |       |             |       |         |           |   |
| ② Sheet 2 added                                  | 25.09.08   | N.Schulz   |   |   |  |      |      |  |            |            |                 |          |          |                   |          |          |  |      |   |      |       |                |     |            |                   |           |  |  |             |       |             |       |         |           |   |
| ① drawing revised                                | 04.07.07   | N.Schulz   |   |   |  |      |      |  |            |            |                 |          |          |                   |          |          |  |      |   |      |       |                |     |            |                   |           |  |  |             |       |             |       |         |           |   |
| Date   | Name   | Title      |   |   |  |      |      |  |            |            |                 |          |          |                   |          |          |  |      |   |      |       |                |     |            |                   |           |  |  |             |       |             |       |         |           |   |
| Drawn 18.12.04                                   | Ken  | AMET-25 RS |   |   |  |      |      |  |            |            |                 |          |          |                   |          |          |  |      |   |      |       |                |     |            |                   |           |  |  |             |       |             |       |         |           |   |
| Approved 25.09.08                                | W.Hellwig  |            |   |   |  |      |      |  |            |            |                 |          |          |                   |          |          |  |      |   |      |       |                |     |            |                   |           |  |  |             |       |             |       |         |           |   |
| Drawing-No.                                      | Sheet  |            |   |   |  |      |      |  |            |            |                 |          |          |                   |          |          |  |      |   |      |       |                |     |            |                   |           |  |  |             |       |             |       |         |           |   |
| ASS 0420 CO                                      | rev03  |            |   |   |  |      |      |  |            |            |                 |          |          |                   |          |          |  |      |   |      |       |                |     |            |                   |           |  |  |             |       |             |       |         |           |   |
| Replace  | Sheet 3/5  |            |   |   |  |      |      |  |            |            |                 |          |          |                   |          |          |  |      |   |      |       |                |     |            |                   |           |  |  |             |       |             |       |         |           |   |
|  |  |            |   |   |   |      |      |  | H          |            |                 |          |          |                   |          |          |  |      |   |      |       |                |     |            |                   |           |  |  |             |       |             |       |         |           |   |
| 1  | 2  | 3          | 4   | 5 | 6  | 7    |      |  |            |            |                 |          |          |                   |          |          |  |      |   |      |       |                |     |            |                   |           |  |  |             |       |             |       |         |           |   |

|             | 1   | 2          | 3  | 4 | 5  | 6            | 7    |             |      |  |                  |            |   |               |          |          |                              |                 |   |          |  |  |  |      |      |       |       |          |     |            |          |          |           |  |  |             |       |             |       |         |           |  |  |
|-------------|---|------------|--|---|--|--------------|------|-------------|------|--|------------------|------------|---|---------------|----------|----------|------------------------------|-----------------|---|----------|--|--|--|------|------|-------|-------|----------|-----|------------|----------|----------|-----------|--|--|-------------|-------|-------------|-------|---------|-----------|--|--|
| A           |    |            |    |   | <p><b>Material</b><br/>Zinc die-cast</p> <p><b>Delivery includes</b></p> <table border="0"> <tr> <td>1</td> <td>half-sheets</td> <td>(2x)</td> </tr> <tr> <td>2</td> <td>knurledge screws</td> <td>(2x)</td> </tr> <tr> <td>3</td> <td>screw</td> <td>(1x)</td> </tr> <tr> <td>4</td> <td>half shells of strain relief</td> <td>(8x)</td> </tr> </table> |              | 1    | half-sheets | (2x) | 2  | knurledge screws | (2x)       | 3 | screw         | (1x)     | 4        | half shells of strain relief | (8x)            | <p><b>SPECIFICATION</b></p> <p><b>MATERIAL</b></p> <p><b>Features</b></p> <p><b>Material and finish</b><br/>Zinc-die-cast,nickel plated</p> <p><b>Temperature range</b><br/>-40° to +120°</p> <p><b>Cable diameter</b><br/>4.0mm - 9.0mm</p> <p><b>Attenuation factor</b><br/>&gt;40 dB between<br/>30Mhz and 1Ghz</p> <p><b>Requirements</b><br/>VDE 0871,FCC 20780,<br/>89/336/EU</p> |          | A  |  |  |      |      |       |       |          |     |            |          |          |           |  |  |             |       |             |       |         |           |  |  |
| 1           | half-sheets   | (2x)       |  |   |  |              |      |             |      |  |                  |            |   |               |          |          |                              |                 |   |          |  |  |  |      |      |       |       |          |     |            |          |          |           |  |  |             |       |             |       |         |           |  |  |
| 2           | knurledge screws  | (2x)       |  |   |  |              |      |             |      |  |                  |            |   |               |          |          |                              |                 |   |          |  |  |  |      |      |       |       |          |     |            |          |          |           |  |  |             |       |             |       |         |           |  |  |
| 3           | screw   | (1x)       |  |   |  |              |      |             |      |  |                  |            |   |               |          |          |                              |                 |   |          |  |  |  |      |      |       |       |          |     |            |          |          |           |  |  |             |       |             |       |         |           |  |  |
| 4           | half shells of strain relief  | (8x)       |  |   |  |              |      |             |      |  |                  |            |   |               |          |          |                              |                 |   |          |  |  |  |      |      |       |       |          |     |            |          |          |           |  |  |             |       |             |       |         |           |  |  |
| B           |   |            |  |   |  |              |      |             | B    |  |                  |            |   |               |          |          |                              |                 |   |          |  |  |  |      |      |       |       |          |     |            |          |          |           |  |  |             |       |             |       |         |           |  |  |
| C           |   |            |  |   |  |              |      |             | C    |  |                  |            |   |               |          |          |                              |                 |   |          |  |  |  |      |      |       |       |          |     |            |          |          |           |  |  |             |       |             |       |         |           |  |  |
| D           |   |            |  |   |  |              |      |             | D    |  |                  |            |   |               |          |          |                              |                 |   |          |  |  |  |      |      |       |       |          |     |            |          |          |           |  |  |             |       |             |       |         |           |  |  |
| E           |   |            |   |   |  |              |      |             | E    |  |                  |            |   |               |          |          |                              |                 |   |          |  |  |  |      |      |       |       |          |     |            |          |          |           |  |  |             |       |             |       |         |           |  |  |
| F           |   |            |  |   |  |              |      |             | F    |  |                  |            |   |               |          |          |                              |                 |   |          |  |  |  |      |      |       |       |          |     |            |          |          |           |  |  |             |       |             |       |         |           |  |  |
| G           |  |            |  |   |  |              |      |             | G    |  |                  |            |   |               |          |          |                              |                 |   |          |  |  |  |      |      |       |       |          |     |            |          |          |           |  |  |             |       |             |       |         |           |  |  |
| H           |   |            |  |   |  |              |      |             | H    |  |                  |            |   |               |          |          |                              |                 |   |          |  |  |  |      |      |       |       |          |     |            |          |          |           |  |  |             |       |             |       |         |           |  |  |
|             |   |            | <table border="1"> <thead> <tr> <th></th> <th>Modification</th> <th>Date</th> <th>Name</th> </tr> </thead> <tbody> <tr> <td>③</td> <td>update of detailed specification, added sheets</td> <td>28.02.2014</td> <td>A. Siozios</td> </tr> <tr> <td>②</td> <td>Sheet 2 added</td> <td>25.09.08</td> <td>N.Schulz</td> </tr> <tr> <td>①</td> <td>drawing revised</td> <td>04.07.07</td> <td>N.Schulz</td> </tr> </tbody> </table> |   |  | Modification | Date | Name        | ③    | update of detailed specification, added sheets | 28.02.2014       | A. Siozios | ② | Sheet 2 added | 25.09.08 | N.Schulz | ①                            | drawing revised | 04.07.07  | N.Schulz | <table border="1"> <thead> <tr> <th></th> <th>Date</th> <th>Name</th> <th>Title</th> </tr> </thead> <tbody> <tr> <td>Drawn</td> <td>18.12.04</td> <td>Ken</td> <td rowspan="2">AMET-09 RS</td> </tr> <tr> <td>Approved</td> <td>25.09.08</td> <td>W.Hellwig</td> </tr> </tbody> </table> |  |  | Date | Name | Title | Drawn | 18.12.04 | Ken | AMET-09 RS | Approved | 25.09.08 | W.Hellwig | <table border="1"> <thead> <tr> <th>Drawing-No.</th> <th>Sheet</th> </tr> </thead> <tbody> <tr> <td>ASS 0420 CO</td> <td>rev03</td> </tr> <tr> <td>Replace</td> <td>Sheet 4/5</td> </tr> </tbody> </table> |  | Drawing-No. | Sheet | ASS 0420 CO | rev03 | Replace | Sheet 4/5 |  |  |
|             | Modification  | Date       | Name   |   |  |              |      |             |      |  |                  |            |   |               |          |          |                              |                 |   |          |  |  |  |      |      |       |       |          |     |            |          |          |           |  |  |             |       |             |       |         |           |  |  |
| ③           | update of detailed specification, added sheets                                      | 28.02.2014 | A. Siozios   |   |  |              |      |             |      |  |                  |            |   |               |          |          |                              |                 |   |          |  |  |  |      |      |       |       |          |     |            |          |          |           |  |  |             |       |             |       |         |           |  |  |
| ②           | Sheet 2 added   | 25.09.08   | N.Schulz   |   |  |              |      |             |      |  |                  |            |   |               |          |          |                              |                 |   |          |  |  |  |      |      |       |       |          |     |            |          |          |           |  |  |             |       |             |       |         |           |  |  |
| ①           | drawing revised   | 04.07.07   | N.Schulz   |   |  |              |      |             |      |  |                  |            |   |               |          |          |                              |                 |   |          |  |  |  |      |      |       |       |          |     |            |          |          |           |  |  |             |       |             |       |         |           |  |  |
|             | Date  | Name       | Title  |   |  |              |      |             |      |  |                  |            |   |               |          |          |                              |                 |   |          |  |  |  |      |      |       |       |          |     |            |          |          |           |  |  |             |       |             |       |         |           |  |  |
| Drawn       | 18.12.04  | Ken        | AMET-09 RS   |   |  |              |      |             |      |  |                  |            |   |               |          |          |                              |                 |   |          |  |  |  |      |      |       |       |          |     |            |          |          |           |  |  |             |       |             |       |         |           |  |  |
| Approved    | 25.09.08  | W.Hellwig  |  |   |  |              |      |             |      |  |                  |            |   |               |          |          |                              |                 |   |          |  |  |  |      |      |       |       |          |     |            |          |          |           |  |  |             |       |             |       |         |           |  |  |
| Drawing-No. | Sheet   |            |  |   |  |              |      |             |      |  |                  |            |   |               |          |          |                              |                 |   |          |  |  |  |      |      |       |       |          |     |            |          |          |           |  |  |             |       |             |       |         |           |  |  |
| ASS 0420 CO | rev03   |            |  |   |  |              |      |             |      |  |                  |            |   |               |          |          |                              |                 |   |          |  |  |  |      |      |       |       |          |     |            |          |          |           |  |  |             |       |             |       |         |           |  |  |
| Replace     | Sheet 4/5   |            |  |   |  |              |      |             |      |  |                  |            |   |               |          |          |                              |                 |   |          |  |  |  |      |      |       |       |          |     |            |          |          |           |  |  |             |       |             |       |         |           |  |  |
| 1           | 2   | 3          | 4  | 5 | 6  | 7            |      |             |      |  |                  |            |   |               |          |          |                              |                 |   |          |  |  |  |      |      |       |       |          |     |            |          |          |           |  |  |             |       |             |       |         |           |  |  |



|   |   |   |   |   |   |   |   |  |   |
|---|---|---|---|---|---|---|---|--|---|
|   | 1 | 2 | 3 | 4 | 5 | 6 | 7 |  |   |
| A |   |   |   |   |   |   |   |  | A |
| B |   |   |   |   |   |   |   |  |   |
| C |   |   |   |   |   |   |   |  |   |
| D |   |   |   |   |   |   |   |  |   |
| E |   |   |   |   |   |   |   |  | E |
| F |   |   |   |   |   |   |   |  | F |
| G |   |   |   |   |   |   |   |  | G |
| H |   |   |   |   |   |   |   |  | H |
|   | 1 | 2 | 3 | 4 | 5 | 6 | 7 |  |   |

|              |         |
|--------------|---------|
| Plastic knop | Plating |
| Black        | Black   |

|         |         |
|---------|---------|
| Thread  |         |
| A       | Plating |
| UNC4-40 | Zink    |

|   |  |            |            |          |          |           |
|---|--|------------|------------|----------|----------|-----------|
|   |  |            |            | Date     | Name     | Title     |
|   |  |            |            | Drawn    | 18.12.04 | Ken       |
|   |  |            |            | Approved | 25.09.08 | W.Hellwig |
| ③ | update of detailed specification, added sheets | 28.02.2014 | A. Siozios |          |          |           |
| ② | update   | 25.09.08   | N.Schulz   |          |          |           |
| ① | drawing revised                                | 04.07.07   | N.Schulz   |          |          |           |
|   | Modification                                   | Date       | Name       |          |          |           |



|             |           |
|-------------|-----------|
| Drawing-No. | Sheet     |
| ASS 0420 CO | rev03     |
| Replace     | Sheet 5/5 |