

# EMC filter - NEF 1-10 - 2788977

Please be informed that the data shown in this PDF Document is generated from our Online Catalog. Please find the complete data in the user's documentation. Our General Terms of Use for Downloads are valid (<http://download.phoenixcontact.com>)



Mains interference filter, with universal foot for mounting on NS 32 and NS 35/7.5, nominal current: 10 A

## Product Features

- DIN rail module
- For single-phase circuits

## Key commercial data

package_quantity	5
GTIN	4017918072001

## Technical data

### Dimensions

Height	79.4 mm
Width	40 mm
Depth	84.1 mm

### Ambient conditions

Degree of protection	IP20
Ambient temperature (operation)	-25 °C ... 100 °C (HMF)

### General

Housing material	PA
Inflammability class according to UL 94	V2
Color	black
Standards for air and creepage distances	IEC 60664-1
Standards for air and creepage distances	VDE 0110-1
Design	Rail-mountable module, one-piece
Mounting type	DIN rail/G-profile rail
Direction of action	1L-N & N-PE

### Protective circuit

Nominal voltage $U_N$	240 V AC
Max. operating voltage $U_{max}$	264 V AC
Arrester rated voltage $U_C$ (L-N)	264 V AC
Arrester rated voltage $U_C$ (L-PE)	264 V AC

# EMC filter - NEF 1-10 - 2788977

## Technical data

### Protective circuit

Nominal frequency $f_N$	50 Hz
Nominal frequency $f_N$	60 Hz
Nominal current $I_N$	10 A (40°C)
Operating effective current $I_c$ at $U_c$	$\leq 0.25$ mA
Residual current $I_{PE}$	$\leq 0.5$ mA
Inductivity in series	2x 1.8 mH (in acc. with VDE 0565-2 with current compensation)
Capacity (L-N)	2x 470 nF (X2)
Capacity (L-PE)	2x 2.2 nF (Y2)
Max. required back-up fuse	10 A (gL)
Input attenuation aE, sym.	> 80 dB (50 $\Omega$ / 1 MHz)
Input attenuation aE, asym.	> 40 dB (50 $\Omega$ / 1 MHz)

### Non-heating apparatus connection, power supply

Connection method	Screw connection
Connection type IN	Screw terminal blocks
Connection type OUT	Screw terminal blocks
Screw thread	M3
Tightening torque	0.8 Nm
Stripping length	8 mm
Conductor cross section stranded min.	0.2 mm <sup>2</sup>
Conductor cross section stranded max.	2.5 mm <sup>2</sup>
Conductor cross section solid min.	0.2 mm <sup>2</sup>
Conductor cross section solid max.	4 mm <sup>2</sup>
Conductor cross section AWG/kcmil min.	24
Conductor cross section AWG/kcmil max	12

### Standards and Regulations

Standards/regulations	IEC 60939-2
Standards/regulations	DIN EN 60939-2

### Protective circuit, filter

Discharge resistor	1 M $\Omega$
--------------------	--------------

## classifications

### eCl@ss

eCl@ss 4.0	27140201
eCl@ss 4.1	27130801
eCl@ss 5.0	27130801
eCl@ss 5.1	27130801
eCl@ss 6.0	27130806
eCl@ss 7.0	27130806
eCl@ss 8.0	27130806

# EMC filter - NEF 1-10 - 2788977

## classifications

### ETIM

<b>ETIM 2.0</b>	EC000942
<b>ETIM 3.0</b>	EC000942
<b>ETIM 4.0</b>	EC000942
<b>ETIM 5.0</b>	EC000942

### UNSPSC

<b>UNSPSC 6.01</b>	30212010
<b>UNSPSC 7.0901</b>	39121610
<b>UNSPSC 11</b>	39121610
<b>UNSPSC 12.01</b>	39121610
<b>UNSPSC 13.2</b>	39121620

## approvals

UL Recognized / VDE Zeichengenehmigung / GOST /

### Approval details

UL Recognized

VDE Zeichengenehmigung

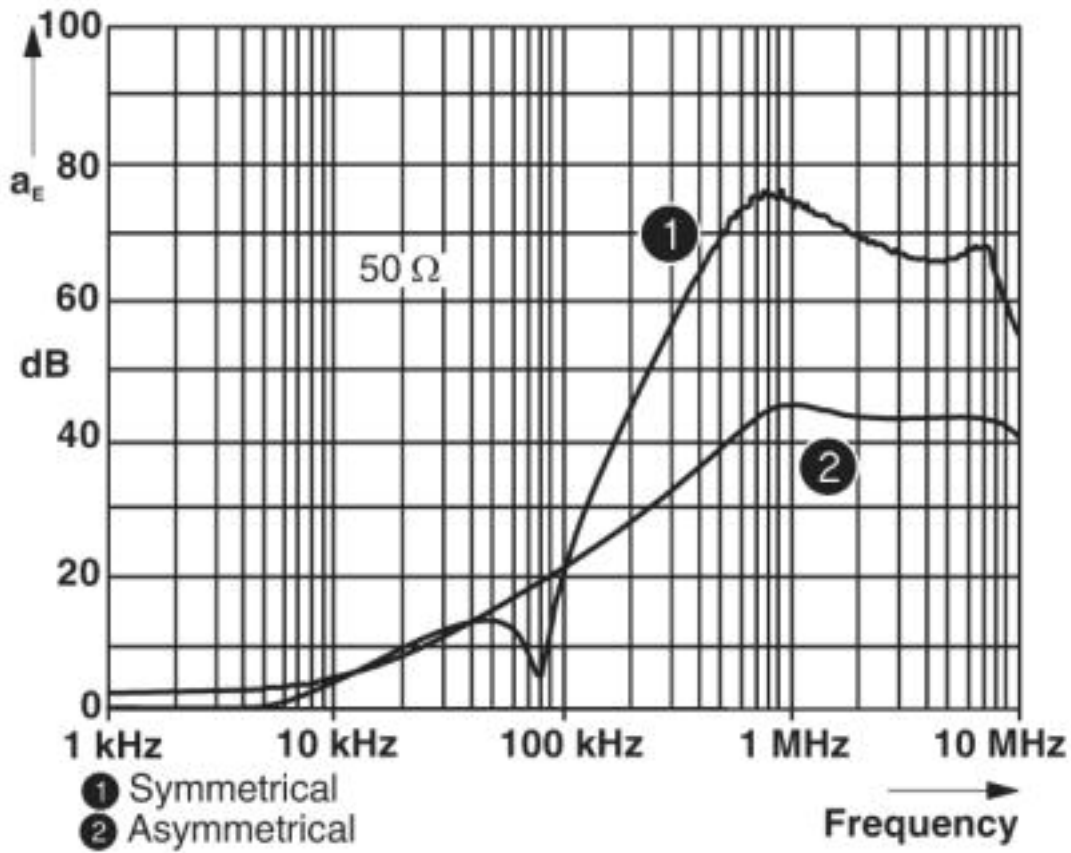
Nominal voltage UN	250 V
Nominal current IN	10 A
mm <sup>2</sup> /AWG/kcmil	2.5

GOST

## Drawings

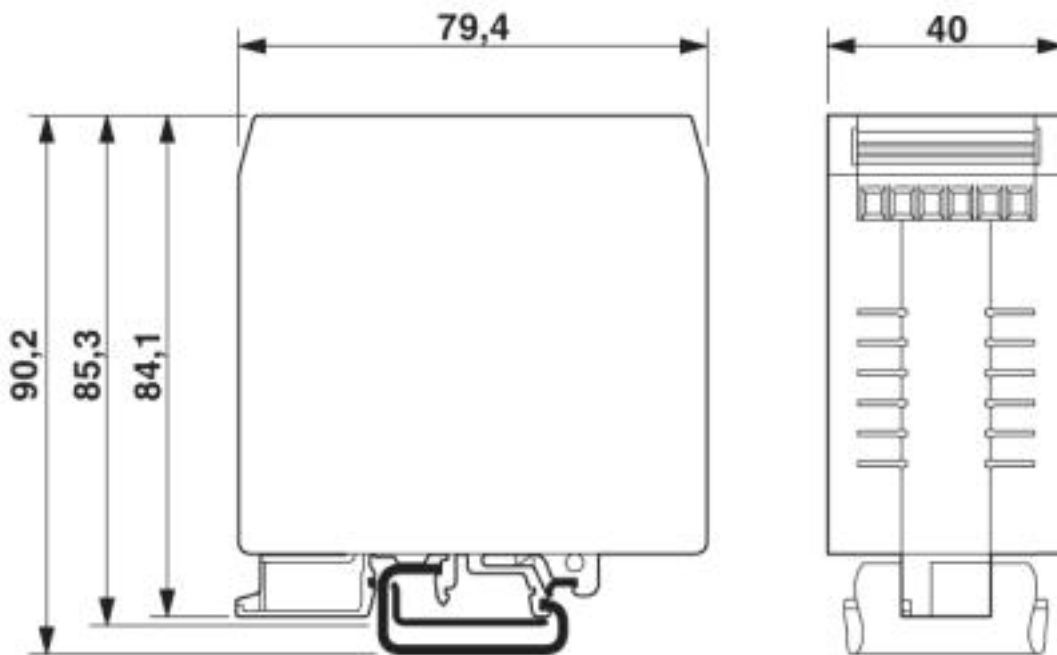
# EMC filter - NEF 1-10 - 2788977

Diagram



# EMC filter - NEF 1-10 - 2788977

Dimensioned drawing



Circuit diagram

