

Device terminal block - G 10/ 2 - 2716703

Please be informed that the data shown in this PDF Document is generated from our Online Catalog. Please find the complete data in the user's documentation. Our General Terms of Use for Downloads are valid (<http://download.phoenixcontact.com>)



Device terminal block, for direct mounting, 2-pos.

The illustration shows a combination of versions G 10/2, G 10/4 and G 10/5

Product Features

- Touch-proof shock protection

Key commercial data

package_quantity	10
GTIN	4017918061975

Technical data

General

Number of levels	1
Number of connections	4
Color	gray
Insulating material	PA
Inflammability class according to UL 94	V2

General

Maximum load current	76 A (with 16 mm ² conductor cross section)
Rated surge voltage	8 kV
Pollution degree	3
Surge voltage category	III
Insulating material group	I
Connection in acc. with standard	IEC 60947-7-1/IEC 60998
Nominal current I_N	57 A
Nominal voltage U_N	800 V
Number of positions	2

Dimensions

Width	29 mm
Length	33 mm
Height	31 mm

Device terminal block - G 10/ 2 - 2716703

Technical data

Connection data

Conductor cross section solid min.	0.5 mm ²
Conductor cross section solid max.	16 mm ²
Conductor cross section AWG/kcmil min.	20
Conductor cross section AWG/kcmil max	6
Conductor cross section stranded min.	0.5 mm ²
Conductor cross section stranded max.	10 mm ²
Min. AWG conductor cross section, stranded	20
Max. AWG conductor cross section, stranded	8
Conductor cross section stranded, with ferrule without plastic sleeve min.	0.5 mm ²
Conductor cross section stranded, with ferrule without plastic sleeve max.	16 mm ²
Conductor cross section stranded, with ferrule with plastic sleeve min.	0.5 mm ²
Conductor cross section stranded, with ferrule with plastic sleeve max.	16 mm ²
2 conductors with same cross section, solid min.	0.5 mm ²
2 conductors with same cross section, solid max.	6 mm ²
2 conductors with same cross section, stranded min.	0.5 mm ²
2 conductors with same cross section, stranded max.	6 mm ²
2 conductors with same cross section, stranded, TWIN ferrules with plastic sleeve, min.	0.5 mm ²
2 conductors with same cross section, stranded, TWIN ferrules with plastic sleeve, max.	6 mm ²
2 conductors with same cross section, stranded, ferrules without plastic sleeve, min.	0.5 mm ²
2 conductors with same cross section, stranded, ferrules without plastic sleeve, max.	6 mm ²
Connection method	Screw connection
Stripping length	12 mm
Internal cylindrical gage	A3
Screw thread	M4
Tightening torque, min	1.5 Nm
Tightening torque max	1.8 Nm

classifications

eCl@ss

eCl@ss 4.0	27141109
eCl@ss 4.1	27141109
eCl@ss 5.0	27141120
eCl@ss 5.1	27141120
eCl@ss 6.0	27141120
eCl@ss 7.0	27141120

Device terminal block - G 10/ 2 - 2716703

classifications

eCl@ss

eCl@ss 8.0	27141120
------------	----------

ETIM

ETIM 2.0	EC001284
ETIM 3.0	EC001284
ETIM 4.0	EC001284
ETIM 5.0	EC000897


UNSPSC


UNSPSC 6.01	30211811
UNSPSC 7.0901	39121410
UNSPSC 11	39121410
UNSPSC 12.01	39121410
UNSPSC 13.2	39121410


approvals

CSA / UL Recognized / KEMA-KEUR / GOST / PRS / CCA / GOST /

Approval details

	
Nominal voltage UN	600 V
Nominal current IN	65 A
mm ² /AWG/kcmil	22-6

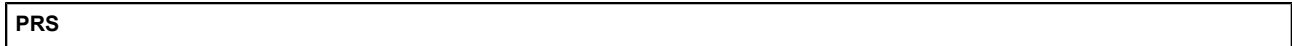
	
Nominal voltage UN	600 V
Nominal current IN	65 A
mm ² /AWG/kcmil	24-6

	
Nominal voltage UN	800 V
Nominal current IN	57 A

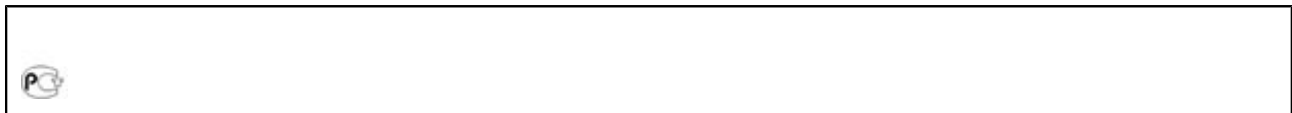
Device terminal block - G 10/ 2 - 2716703

approvals

mm ² /AWG/kcmil	10
----------------------------	----



CCA	
Nominal voltage UN	800 V
Nominal current IN	
mm ² /AWG/kcmil	10



accessories

Terminal marking

BN WH - 1401404



Screwdriver tools

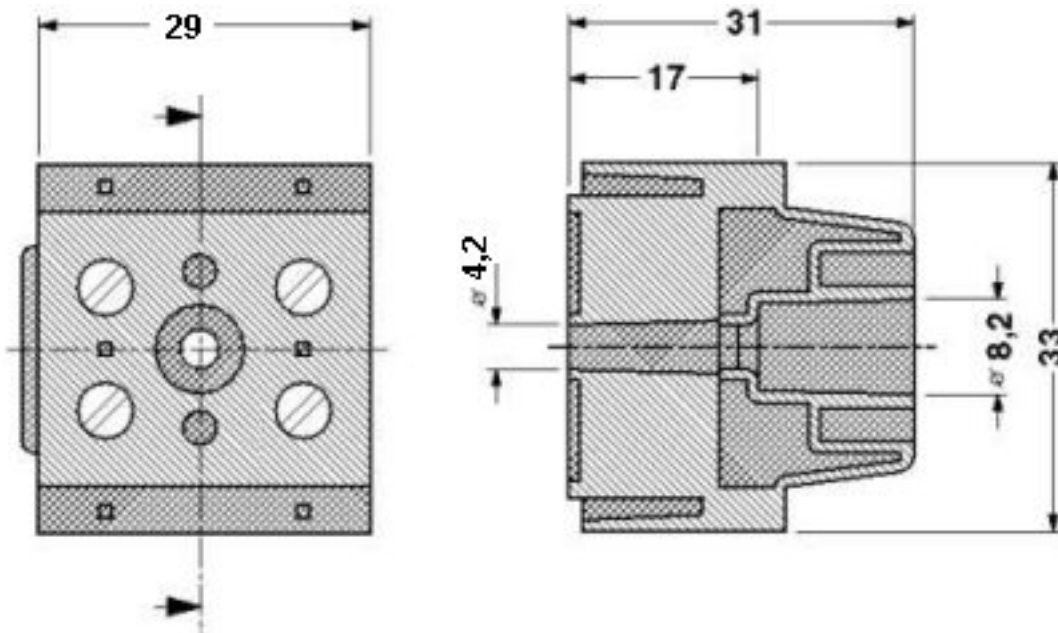
SZS 1,0X4,0 VDE - 1205066



Drawings

Device terminal block - G 10/ 2 - 2716703

Dimensioned drawing



Circuit diagram

