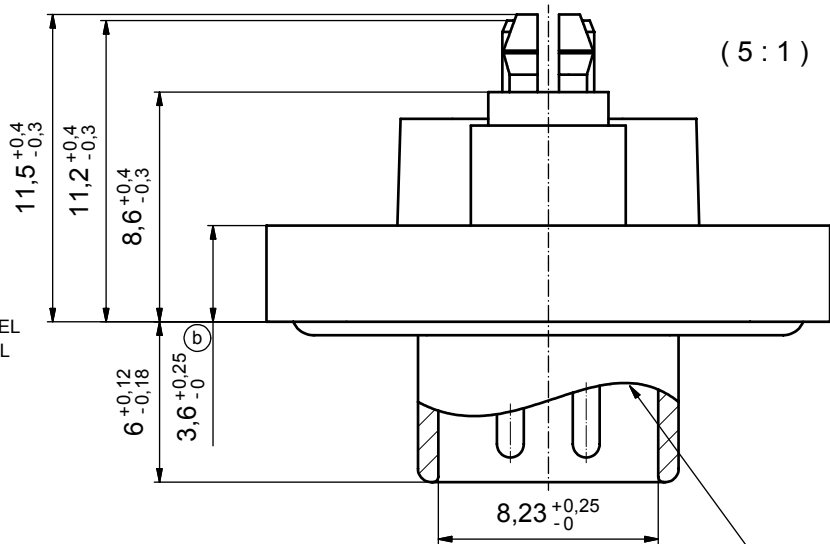


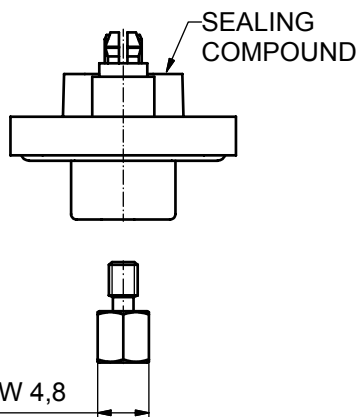
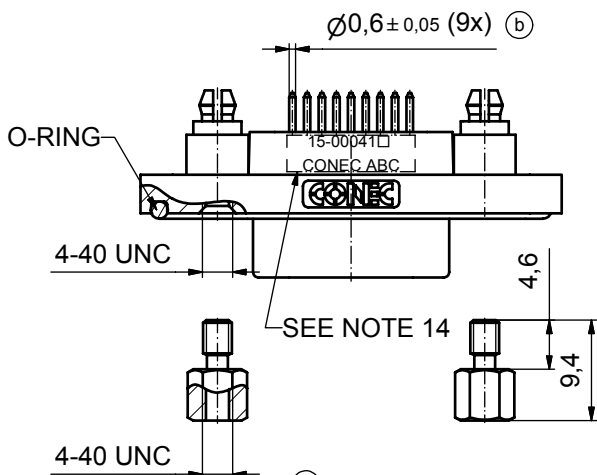
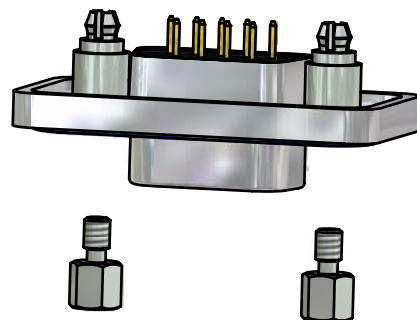
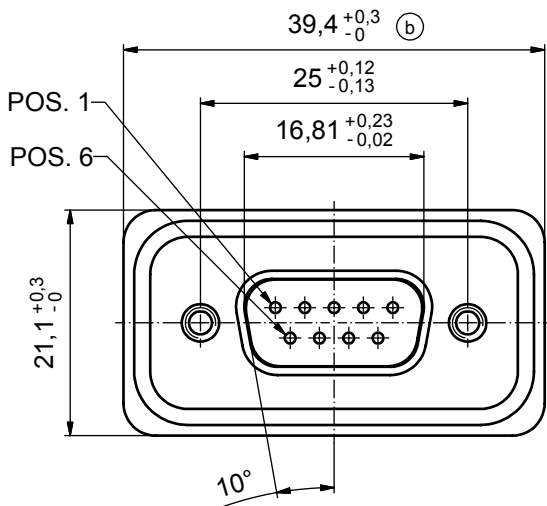
(b)

NOTES:

- FOR WAVESOLDERING (SOLDER BATH TEMPERATURE 265°C FOR 8 SEC. AND SOLDER PREHEAT 150°C FOR 180 SEC.)
- IP RATING: IP 67
- SEALED TO WITHSTAND PRESSURE UP TO 1,45 PSI FOR 30 MINUTES AFTER HIGH TEMPERATURE EXPOSURE
- METALSHELL: ZINC DIE CAST; min. 50µin NICKEL PLATING over COPPER
- INSULATORS: PBT GF UL 94 V-0, BLACK
- O-RING: SILICONE PER ASTM D2000 70 SHORE A
- RUBBER GASKET: TPE
- SEALING COMPOUND: EPOXY RESIN UL 94 V-0; BLACK
- CONTACTS: COPPER ALLOY PLATING (SEE PART NO):
 PLEASE ADD 1 for 30µin HARD GOLD over min. 50µin NICKEL
 PLEASE ADD 3 for 8µin HARD GOLD over min. 50µin NICKEL
- REAR SPACER CLIPS: COPPER ALLOY; min. 200µin TIN over 80µin NICKEL
PCB-HOLE: $\phi 3,1 \pm 0,1$; PCB THICKNESS 1,6mm
- HEXLOCKING SCREWS: STAINLESS STEEL
- PCB-HOLE DRILLINGS and RECOMMENDED PANEL CUT-OUT ON SHEET 2
- RECOMMENDED TORQUE FOR MOUNTING SCREW 35Ncm (3.1 in.LB) / max.67Ncm (6 in.LB)
- CONNECTOR IS PART MARKED: 15-00041 CONEC ABC



RUBBER GASKET PLACED ON TOP SURFACE OF MALE INSULATOR



(b)

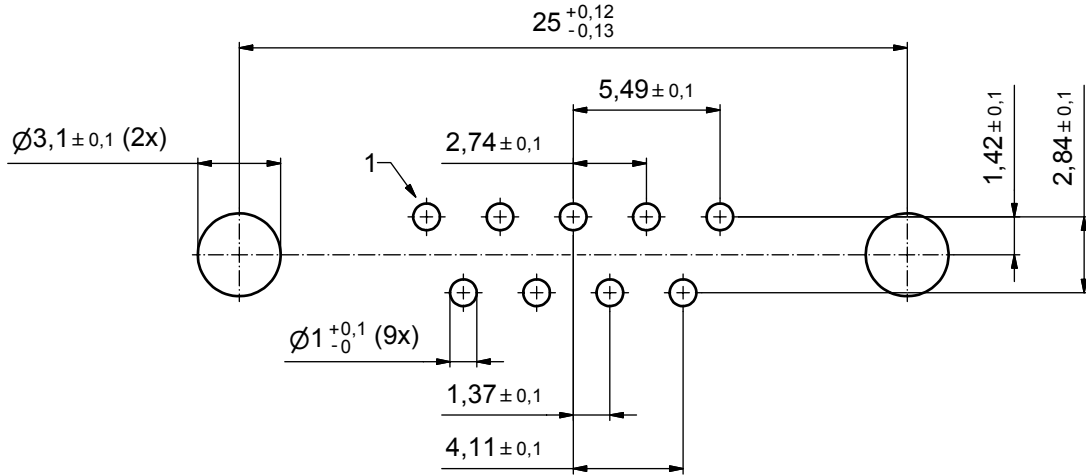
AT ALL TIMES WATER RESISTANT CONNECTORS NOT IN USE SHOULD BE COVERED WITH A CONEC WATER RESISTANT CAP OR WATER TIGHT HOOD.



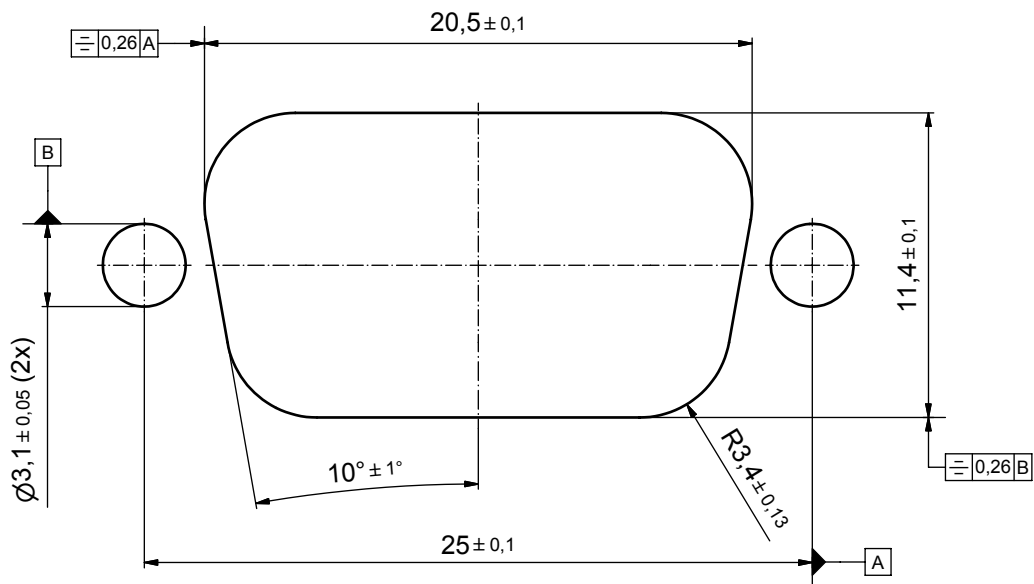
| | |
|---|--------|
| APPROVAL # FREIGABE # DEBLOCAGE # AUTORIZACION # APPROVAL | |
| CUSTOMER APPROVAL DATE: | |
| NAME: | TITLE: |
| COMPANY NAME: | |
| APPROVAL # FREIGABE # DEBLOCAGE # AUTORIZACION # APPROVAL | |

| | | | | | | | | |
|--|-------------|----------|------|-----------|----------|--------------------------------|---|--------|
| THIS DRAWING MAY NOT BE COPIED OR REPRODUCED IN ANY WAY, AND MAY NOT BE PASSED ON TO A THIRD PARTY WITHOUT WRITTEN PERMISSION. OWNERSHIP AND COPYRIGHT OF CONEC GmbH | | | | tolerance | | dim. in mm | scale: 2:1 (5:1) | |
| DO NOT ALTER CAD DRAWING BY HAND | | | | date | | | material: see notes | |
| 5 x b | A3435 | 21.09.09 | HS | drawn | 17.10.08 | Schmidt | title: D-SUB MALE 9pos. SOLDER PIN STRAIGHT with rear spacer clip and hexlocking screw | |
| a | Origin | | | appd. | 21.10.08 | Fischer | | |
| rev. | description | date | name | norm | | | | |
| | | | | d-old | | | dwg no: Inventor 10 | DIN-A3 |
| | | | | | | 75K1A274 | | sh: 1 |
| | | | | | | part no: 15-00041 (see note 9) | | |

P.C.B. HOLE DRILLINGS



RECOMMENDED PANEL CUT-OUT



| | |
|---|--------|
| APPROVAL # FREIGABE # DEBLOCAGE # AUTORIZACION # APPROVAL | |
| CUSTOMER APPROVAL DATE: | |
| NAME: | TITLE: |
| COMPANY NAME: | |
| APPROVAL # FREIGABE # DEBLOCAGE # AUTORIZACION # APPROVAL | |

| | | | |
|--|-------------|------|------|
| THIS DRAWING MAY NOT BE COPIED OR REPRODUCED IN ANY WAY, AND MAY NOT BE PASSED ON TO A THIRD PARTY WITHOUT WRITTEN PERMISSION. OWNERSHIP AND COPYRIGHT OF CONEC GmbH | | | |
| DO NOT ALTER CAD DRAWING BY HAND | | | |
| rev. | description | date | name |
| a | Origin | | |

| | | |
|-----------|----------|------------|
| tolerance | | dim. in mm |
| date | name | |
| drawn | 17.10.08 | Schmidt |
| appd. | 21.10.08 | Fischer |
| norm | | |
| d-old | | |

| | | |
|-----------|--|--------|
| scale: | 5:1 | |
| material: | see sheet 1 | |
| title: | P.C.B. HOLE DRILLINGS PANEL CUT-OUT Male 9pos. Solder pin straight | |
| dwg no: | Inventor 10 | DIN-A3 |
| | 15K1A274 | sh: 2 |
| part no: | see sheet 1 | |