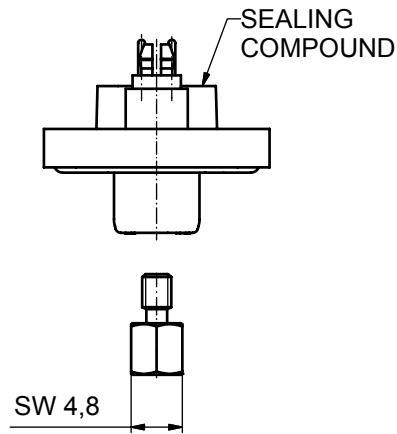
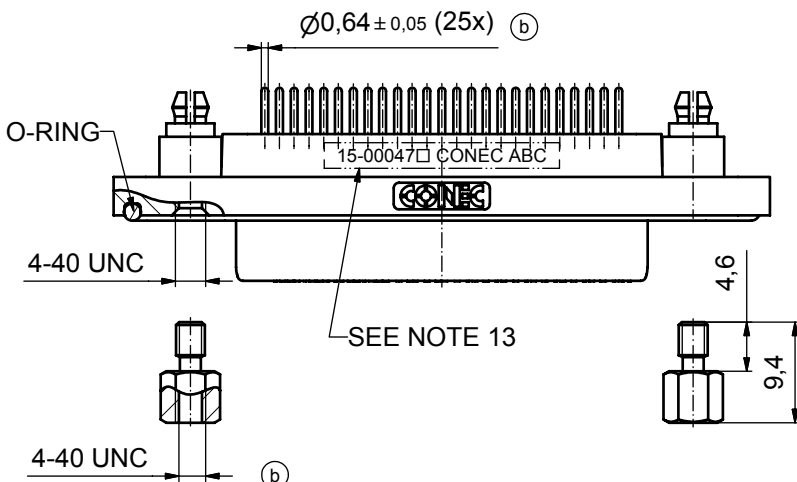
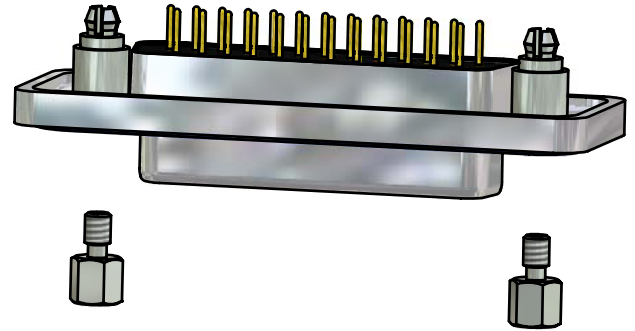
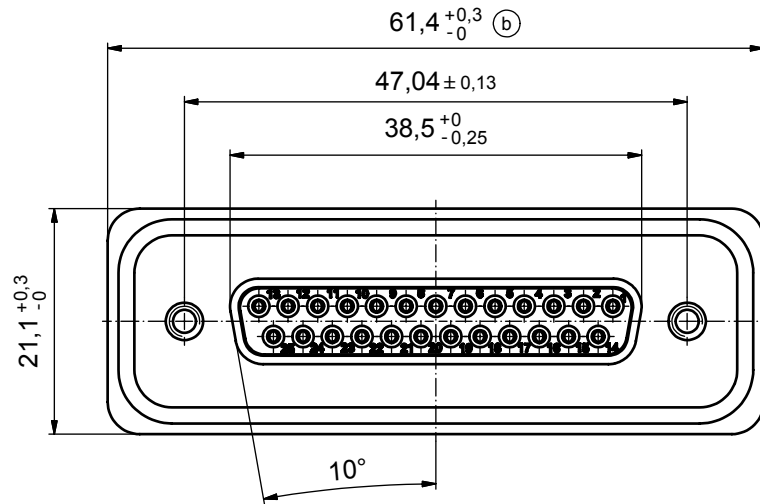
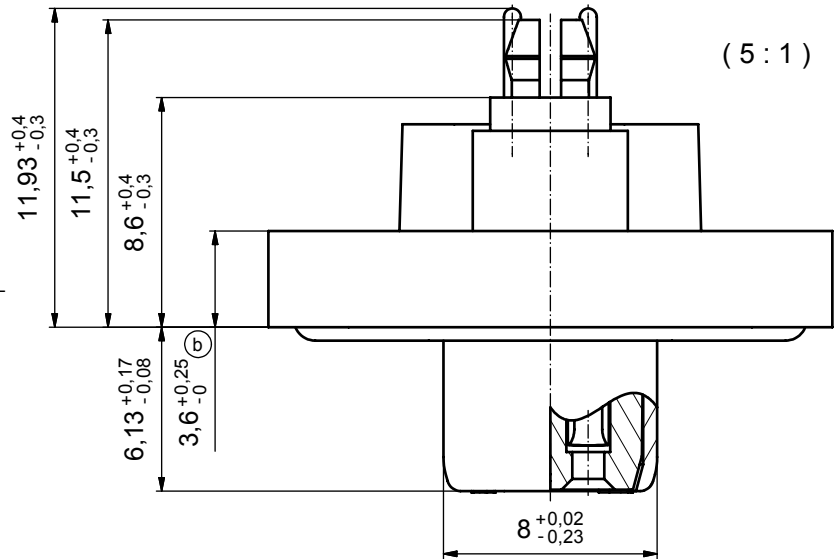


(b)
NOTES:

1. FOR WAVESOLDERING (SOLDER BATH TEMPERATURE 265°C FOR 8 SEC. AND SOLDER PREHEAT 150°C FOR 180 SEC.)
2. IP RATING: IP 67
3. SEALED TO WITHSTAND PRESSURE UP TO 1,45 PSI FOR 30 MINUTES AFTER HIGH TEMPERATURE EXPOSURE
4. METAL SHELL: ZINC DIE CAST;
min. 50µm NICKEL PLATING over COPPER
5. INSULATORS: PBT GF UL 94 V-0, BLACK
6. O-RING: SILICONE PER ASTM D2000 70 SHORE A
7. SEALING COMPOUND: EPOXY RESIN UL 94 V-0; BLACK
8. CONTACTS: COPPER ALLOY
PLATING (SEE PART NO):
 PLEASE ADD 1 for 30µm HARD GOLD over min. 50µm NICKEL
 PLEASE ADD 3 for 8µm HARD GOLD over min. 50µm NICKEL
9. REAR SPACER CLIPS: COPPER ALLOY;
min. 200µm TIN over 80µm NICKEL
PCB-HOLE: $\varnothing 3,1 \pm 0,1$; PCB THICKNESS 1,6mm
10. HEXLOCKING SCREWS: STAINLESS STEEL
11. PCB-HOLE DRILLINGS and RECOMMENDED PANEL CUT-OUT ON SHEET 2
12. RECOMMENDED TORQUE FOR MOUNTING SCREW
35Ncm (3.1 in.LB) / max.67Ncm (6 in.LB)
13. CONNECTOR IS PART MARKED: 15-00047 CONEC ABC



Directive 2002/95/EC
RoHS
Compliant

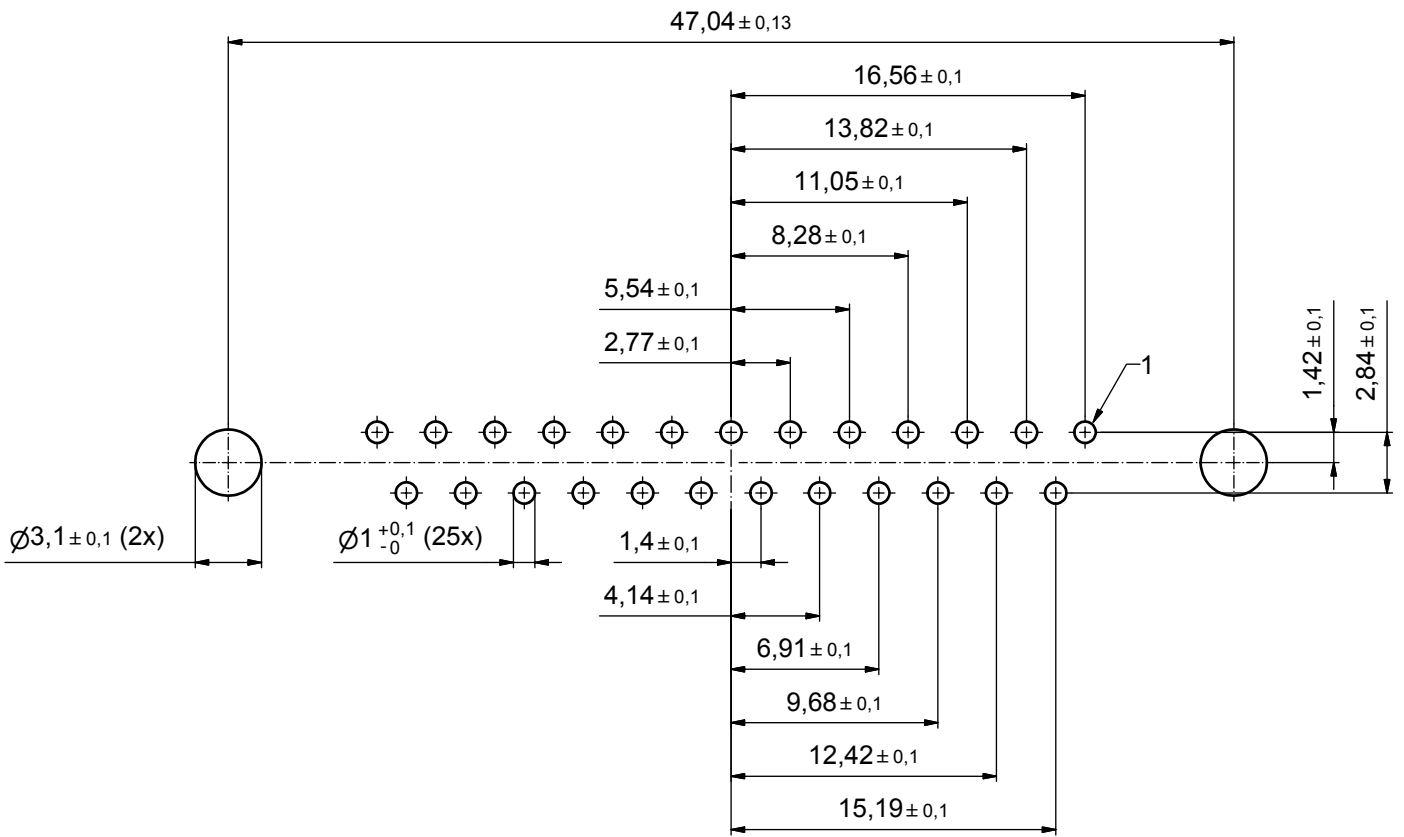
AT ALL TIMES WATER RESISTANT CONNECTORS NOT IN USE SHOULD BE COVERED WITH A CONEC WATER RESISTANT CAP OR WATER TIGHT HOOD.

APPROVAL # FREIGABE # DEBLOCAGE # AUTORIZACION # APPROVAL
CUSTOMER APPROVAL DATE:
NAME: TITLE:
COMPANY NAME:
APPROVAL # FREIGABE # DEBLOCAGE # AUTORIZACION # APPROVAL

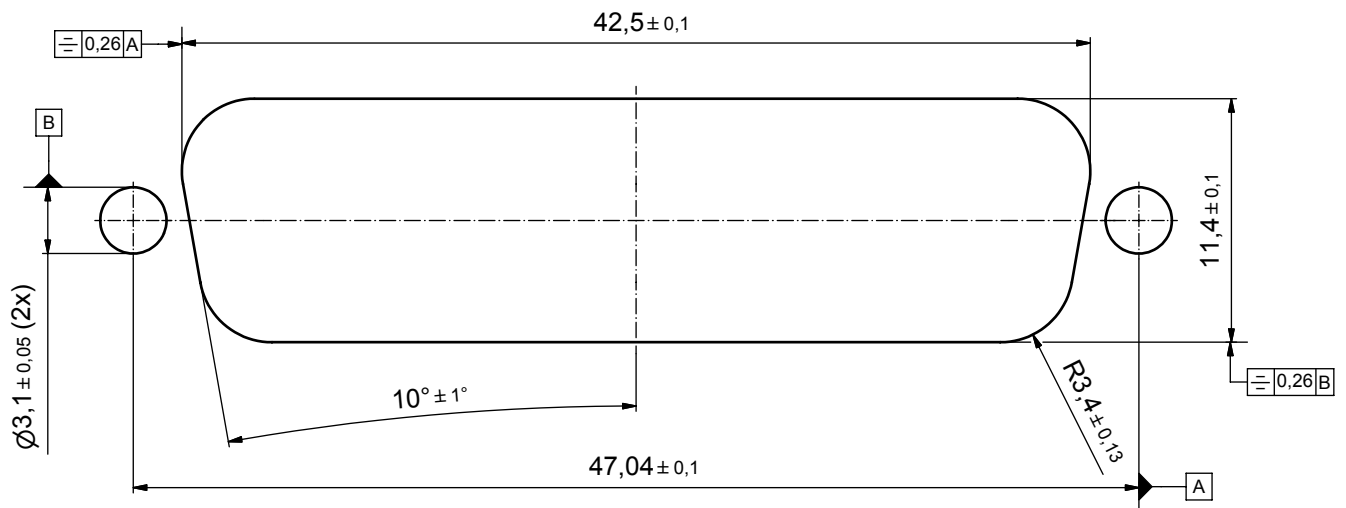
tolerance				dim. in mm	scale: 2:1 (5:1)	
					material: see notes	
THIS DRAWING MAY NOT BE COPIED OR REPRODUCED IN ANY WAY, AND MAY NOT BE PASSED ON TO A THIRD PARTY WITHOUT WRITTEN PERMISSION. OWNERSHIP AND COPYRIGHT OF CONEC GmbH				date	name	title: D-SUB FEMALE 25pos. SOLDER PIN STRAIGHT with rear spacer clip and hexlocking screw
DO NOT ALTER CAD DRAWING BY HAND				drawn	Schmidt	
				appd.	Fischer	
				norm		
5 x b	A3435	21.09.09	HS	d-old		dwg no: Inventor 10
a	Origin					DIN-A3
rev.	description	date	name	CONEC		sh: 1
part no: 15-00047 (see note 8)						

title: D-SUB FEMALE 25pos. SOLDER PIN STRAIGHT with rear spacer clip and hexlocking screw	
dwg no: Inventor 10	DIN-A3
sh: 1	
part no: 15-00047 (see note 8)	

P.C.B. HOLE DRILLINGS



RECOMMENDED PANEL CUT-OUT



APPROVAL # FREIGABE # DEBLOCAGE # AUTORIZACION # APPROVAL	
CUSTOMER APPROVAL DATE:	
NAME:	TITLE:
COMPANY NAME:	
APPROVAL # FREIGABE # DEBLOCAGE # AUTORIZACION # APPROVAL	

THIS DRAWING MAY NOT BE COPIED OR REPRODUCED IN ANY WAY, AND MAY NOT BE PASSED ON TO A THIRD PARTY WITHOUT WRITTEN PERMISSION. OWNERSHIP AND COPYRIGHT OF CONEC GmbH				tolerance		dim. in mm	scale: 4:1	
DO NOT ALTER CAD DRAWING BY HAND							material: see sheet 1	
rev.	description	date	name	drawn	date	name	title:	
a	Origin			17.10.08	17.10.08	Schmidt	P.C.B. HOLE DRILLINGS	
				21.10.08		Fischer	PANEL CUT-OUT	
							D-SUB Female 25pos. Solder pin straight	
							dwg no:	Inventor 10
								DIN-A3
							part no:	15K1A295
								sh: 2
								see sheet 1

