

Connector - PV-CM-S 2,5-6 (-) - 1774687

Please be informed that the data shown in this PDF Document is generated from our Online Catalog. Please find the complete data in the user's documentation. Our General Terms of Use for Downloads are valid (<http://download.phoenixcontact.com>)



Photovoltaic connector, Nominal current: 40 A, Nom. voltage: 1100 V, Connection type: Spring-cage, Color: black, Can only be released using a tool

Key commercial data

package_quantity	50
GTIN	4046356480192

Technical data

Dimensions

External cable diameter	5 mm ... 8 mm
-------------------------	---------------

Ambient conditions

Degree of protection (when plugged in)	IP66 / IP68 (2m / 24h)
Ambient temperature (operation)	-40 °C ... 85 °C
Ambient temperature (assembly)	-25 °C ... 50 °C

General

Design	Male connector
Tightening torque nut	2 Nm ±0.1 N
Insertion force	45 N ±10 N
Disconnect force	250 N ±50 N
Pull-out force of cable >= disconnect force	> 330 N

General

Rated voltage	1100 V
Rated current (2.5 mm ²)	27 A
Rated current (4.0 mm ²)	40 A
Rated current (6.0 mm ²)	40 A
Protection class	II

Material

Color	black
Insulating material	mPPE
Contact material	Cu
Contact surface material	Ag
Inflammability class according to UL 94	V0

Connector - PV-CM-S 2,5-6 (-) - 1774687

Technical data

Connection data

Connection method	Spring-cage
Connection capacity	2.5 mm ² ... 6 mm ²
Contact resistance with connected conductor	0.45 mΩ
Stripping length	15 mm
Cable type	PV1-F cables

classifications

eCl@ss

eCl@ss 4.0	272607xx
eCl@ss 4.1	27260701
eCl@ss 5.0	27260701
eCl@ss 5.1	27260701
eCl@ss 6.0	27260704
eCl@ss 7.0	27440402
eCl@ss 8.0	27440402

ETIM

ETIM 3.0	EC001121
ETIM 4.0	EC001753
ETIM 5.0	EC002641

UNSPSC

UNSPSC 6.01	30211810
UNSPSC 7.0901	39121409
UNSPSC 11	39121409
UNSPSC 12.01	39121409
UNSPSC 13.2	39121409

approvals


ETLus / VDE Zeichengenehmigung /

Approval details

ETLus	
Nominal voltage UN	600 V
Nominal current IN	15 A
mm ² /AWG/kcmil	14

Connector - PV-CM-S 2,5-6 (-) - 1774687

approvals

VDE Zeichengenehmigung 	
Nominal voltage UN	1100 V
Nominal current IN	40 A
mm ² /AWG/kcmil	6

accessories

Protective cap

PV-C PROTECTION CAP - 1785430



Screwdriver tools

SZF 1-0,6X3,5 - 1204517



Stripping tool

QUICK WIREFOX 6 SC - 1207637



WIREFOX-D SR 6-1 - 1212511



Connector - PV-CM-S 2,5-6 (-) - 1774687

accessories

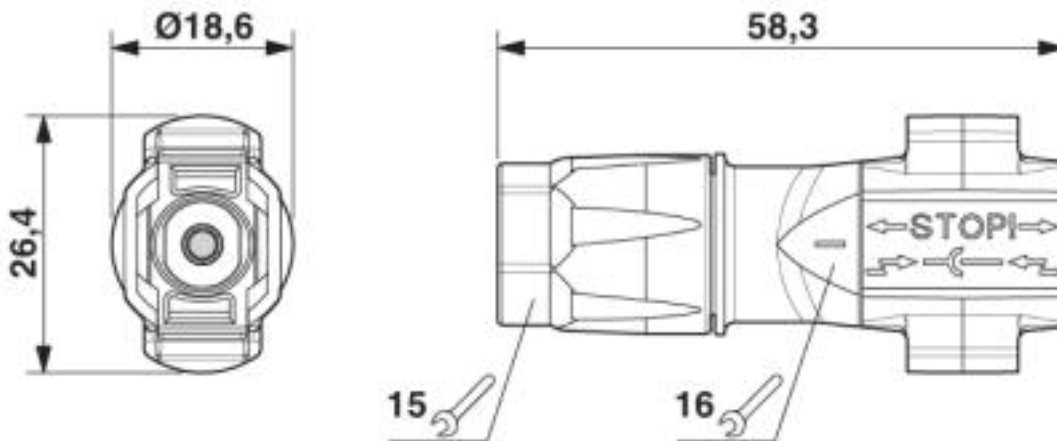
Sealing plugs

PV-C PLUG - 1775631



Drawings

Dimensioned drawing



© Phoenix Contact 2013 - all rights reserved
<http://www.phoenixcontact.com>