

Conductor connectors - QPD C 3PE2,5 2X6-10 BK - 1582211

Please be informed that the data shown in this PDF Document is generated from our Online Catalog. Please find the complete data in the user's documentation. Our General Terms of Use for Downloads are valid (<http://download.phoenixcontact.com>)



QUICKON cable connector, black, 3-pos. +PE, 1.0 mm² ... 2.5 mm² / 630 V / 20 A, for cable diameters of 6 mm ... 10 mm.

Product Features

- Innovative and time saving - QUICKON fast connection for time saving of up to 80% for on-site connection
- Convenient: quick and easy assembly without special tools
- Robust throughout: housing with IP68/IP69K and IK07 protection for a wide range of applications
- Safer connection thanks to polarization against mismatching and touch-proof protection according to DIN EN 0105
- Easy and safe - with the cable connector, you can repair or extend cables quickly, in combination with the connector as well as the coupling connection

Key commercial data

package_quantity	1
GTIN	4046356316941

Technical data

General

Design	QPD 4x2,5
Color	black
Locking type	Screw locking
Connection method	QUICKON connection
Connection method	IDC connection
Number of positions	4
Note number of positions	3+PE
Wrench size, union nut	22 mm
Tightening torque, union nut	5 Nm
Conductor cross section stranded min.	1 mm ²
Conductor cross section stranded max.	2.5 mm ²
Conductor cross section solid min.	1 mm ²
Conductor cross section solid max.	2.5 mm ²
Conductor cross section AWG/kcmil min.	16
Conductor cross section AWG/kcmil max	14

Conductor

Structure of individual litz in acc. with VDE 0295 / smallest wire diameter	VDE 0295 class 1 to 6 / min. 0.15 mm
---	--------------------------------------

Conductor connectors - QPD C 3PE2,5 2X6-10 BK - 1582211

Technical data

Conductor

Wire insulation material	PVC/PE/TPE/rubber
Wire diameter including insulation	2.5 mm ... 3.8 mm
External cable diameter	6 mm ... 10 mm

Ambient conditions

Degree of protection	IP68 (2 m / 24 h)
Degree of protection	IP69K
Ambient temperature (operation)	-40 °C ... 80 °C
Ambient temperature (storage/transport)	-40 °C ... 80 °C
Temperature when conductor connected	-5 °C ... 50 °C

Electrical characteristics

Nominal current I _N	20 A
Rated current	20 A
Rated voltage (III/3)	690 V
Rated voltage (III/2)	1000 V
Rated voltage (II/2)	1000 V
Rated surge voltage (III/3)	6 kV
Rated surge voltage (III/2)	8 kV
Rated surge voltage (II/2)	8 kV

Mechanical characteristics

QUICKON connectability	max. 10
Insertion/withdrawal cycles	50 (Quickon connections max. 10)

Material data

Contact material	Cu
Contact surface material	Silver-plated
Contact carrier material	PA
Insulating material	PA
Inflammability class according to UL 94	V0
Surge voltage category	III
Pollution degree	3

classifications

eCl@ss

eCl@ss 4.0	272607xx
eCl@ss 4.1	27260701
eCl@ss 5.0	27143424
eCl@ss 5.1	27143424
eCl@ss 6.0	27143424
eCl@ss 7.0	27440209
eCl@ss 8.0	27440209

Conductor connectors - QPD C 3PE2,5 2X6-10 BK - 1582211

classifications

ETIM

ETIM 3.0	EC000437
ETIM 4.0	EC000516
ETIM 5.0	EC000516

UNSPSC

UNSPSC 6.01	30211923
UNSPSC 7.0901	39121522
UNSPSC 11	39121522
UNSPSC 12.01	39121522
UNSPSC 13.2	39121522

approvals

VDE Zeichengenehmigung / UL Listed / cUL Listed / GOST / cULus Listed /

Approval details

VDE Zeichengenehmigung	
Nominal voltage UN	690 V
Nominal current IN	20 A
mm ² /AWG/kcmil	1.5-2.5

UL Listed

cUL Listed

GOST

cULus Listed

Conductor connectors - QPD C 3PE2,5 2X6-10 BK - 1582211

accessories

Device marking

GPE 13X 9 WH - 0806932



Socket spanner

QSS 22 - 1670206



Sealing plugs

SEALING PLUG 10X16 RD - 1400284



Coding element

CP-QPD - 1582459



Installation connector

Conductor connectors - QPD C 3PE2,5 2X6-10 BK - 1582211

accessories

QPD P 3PE2,5 9-14 BK - 1582205

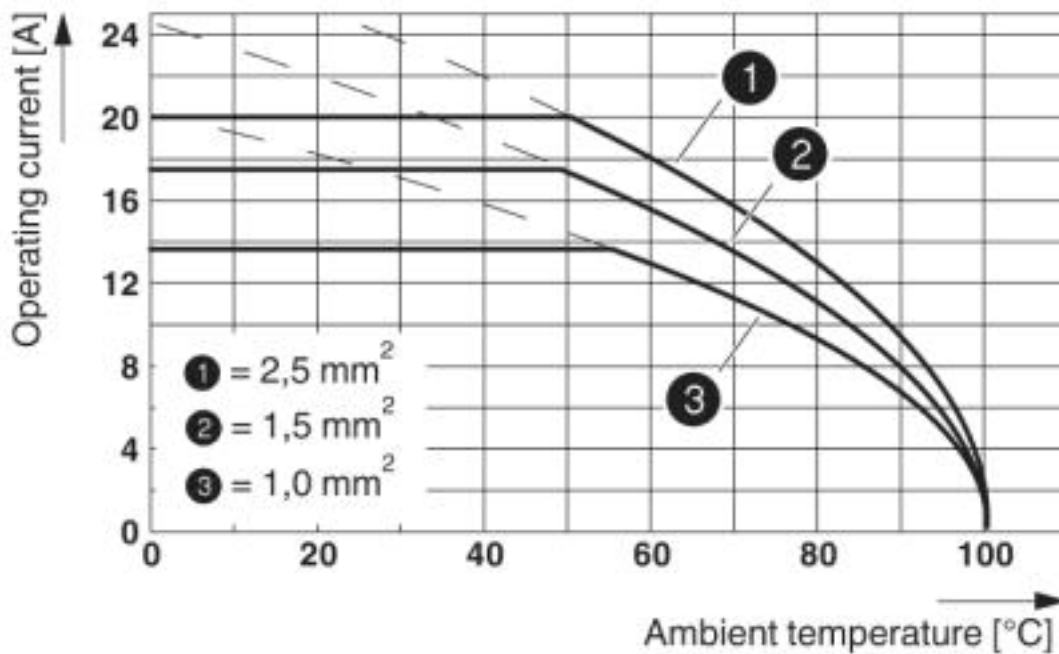


QPD P 3PE2,5 6-10 BK - 1582202



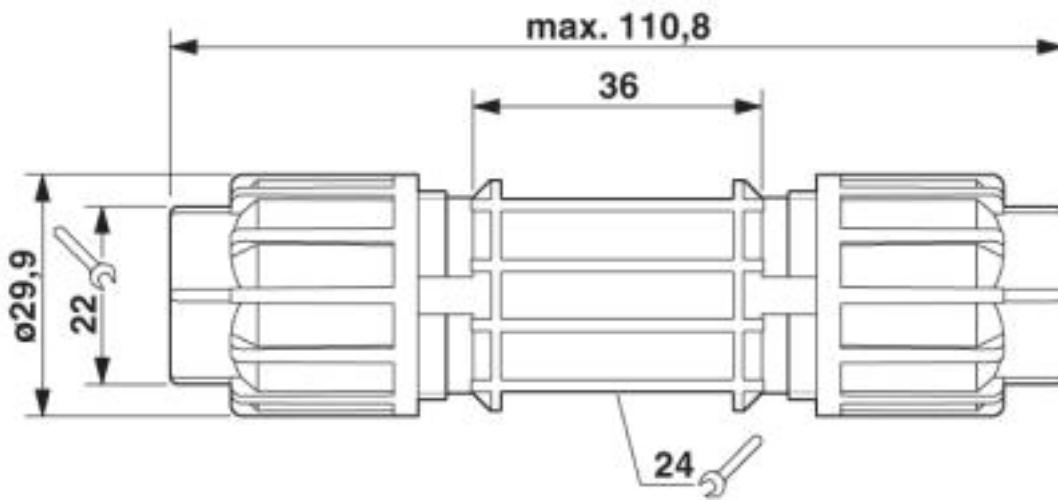
Drawings

Diagram



Conductor connectors - QPD C 3PE2,5 2X6-10 BK - 1582211

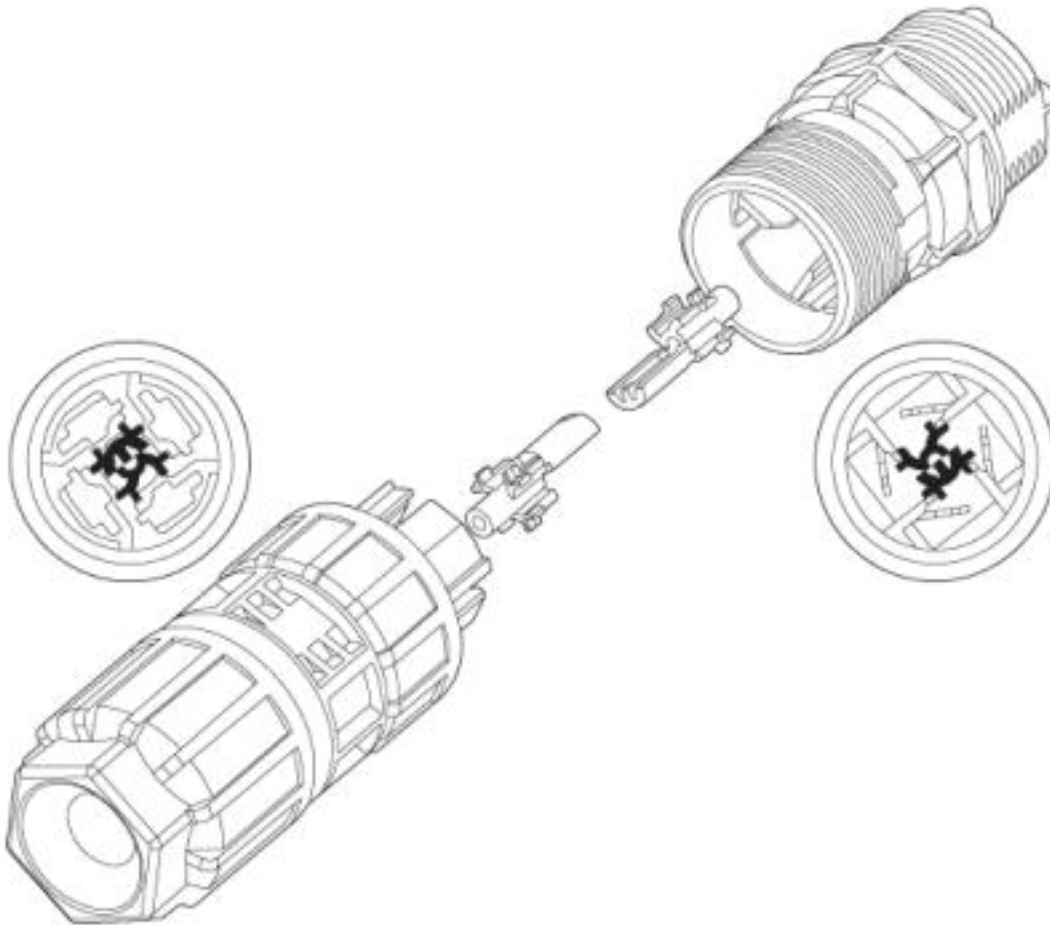
Dimensioned drawing



Dimensional drawing

Conductor connectors - QPD C 3PE2,5 2X6-10 BK - 1582211

Schematic diagram



Encoding of the QUICKON connector

© Phoenix Contact 2013 - all rights reserved
<http://www.phoenixcontact.com>