

5

4

3

2

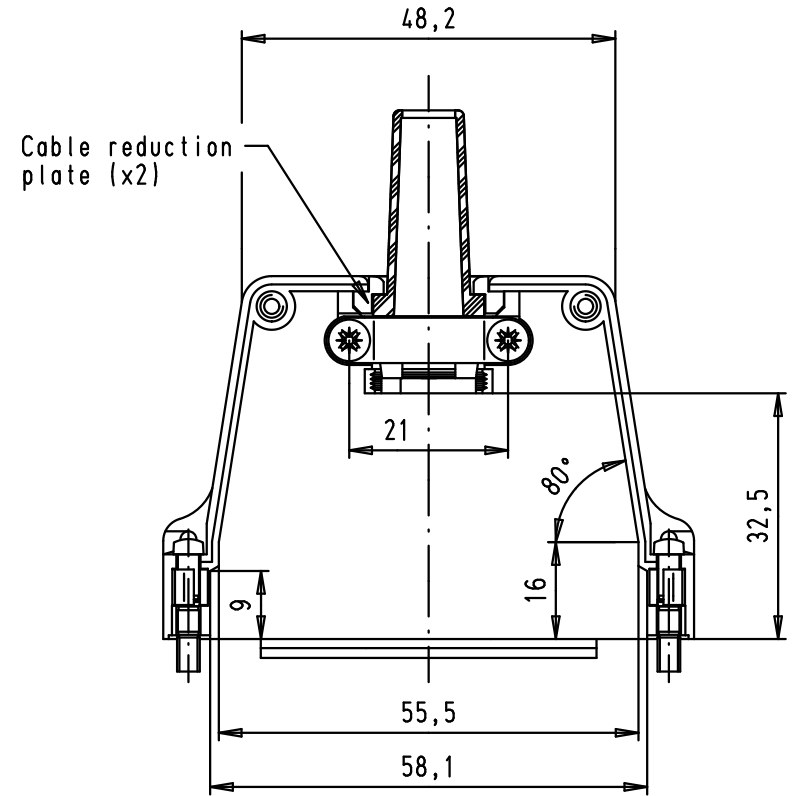
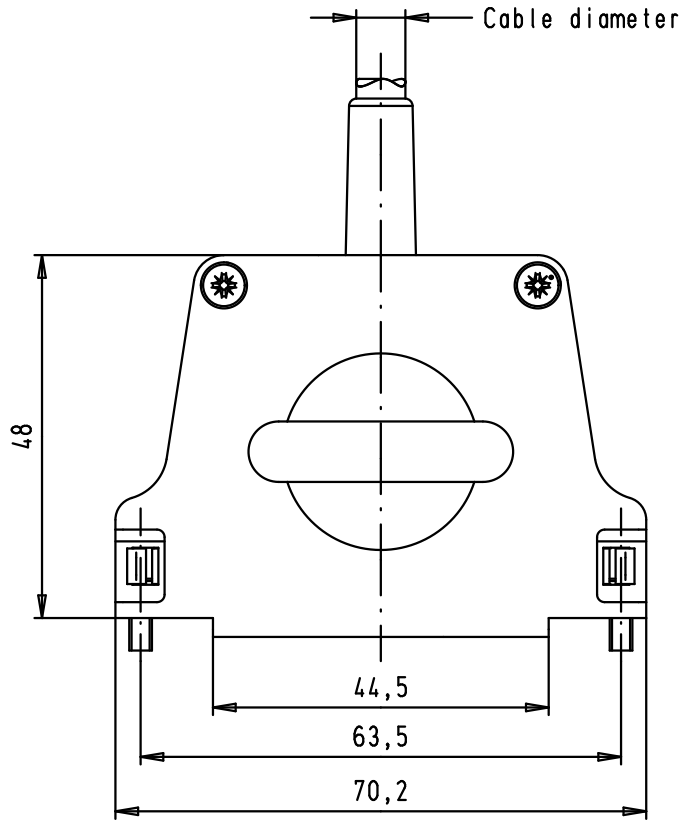
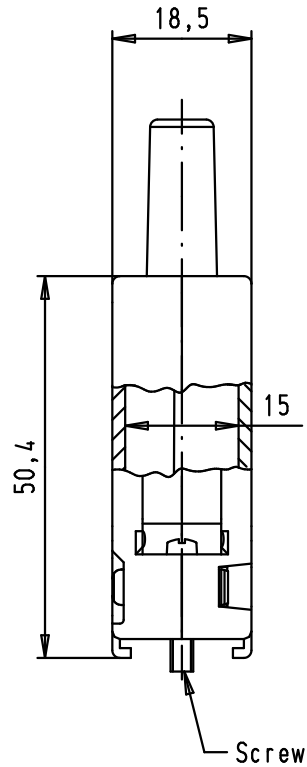
1

D


C

B

A



- Minimum cable diameter: 3
 Maximum cable diameter:
 - with rubber bushing: 9
 - without rubber bushing: 12
 - without reduction plate: 15

				Dot.	Name	 All Dim. in mm Orig. Size DIN A 4	D-Sub, 37 poles, top entry, straight metal hood	Maßstab/ Scale	
				Detail.	15/11/04			TR	1:1
				Insp.					
				Stand.					
09 67 037 0349	M3	EC00368	07/07/09	PK	HARTING EURL F-95972 Paris		TB 09 67 037 034X	Blatt/ Page	
09 67 037 0344	4-40 UNC	32329	15/11/04	TR				2 / 2	
Part number	Screw thread	Mod.	Dot.	Name			Sub.		

