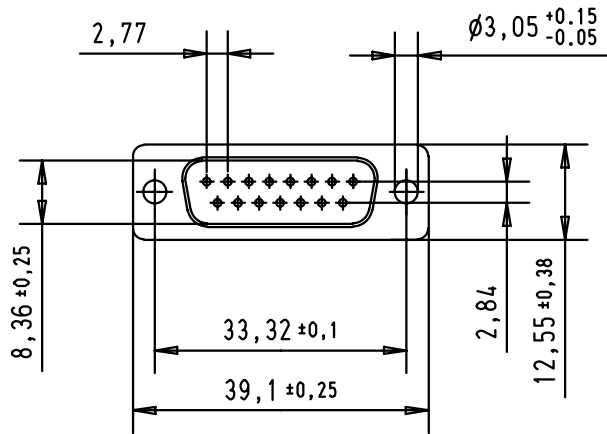


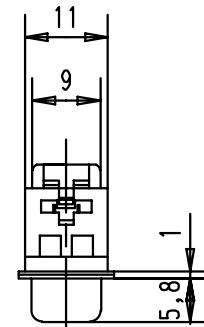
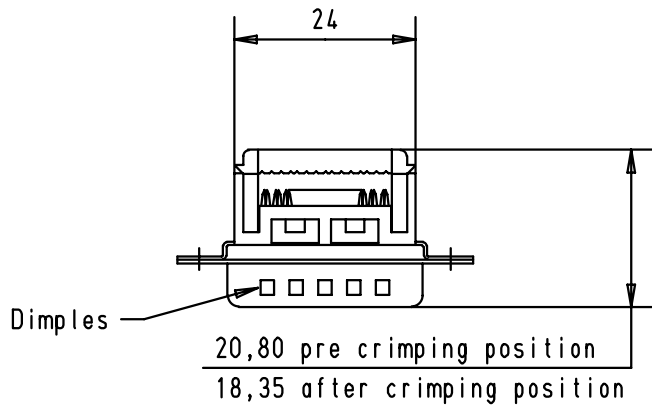
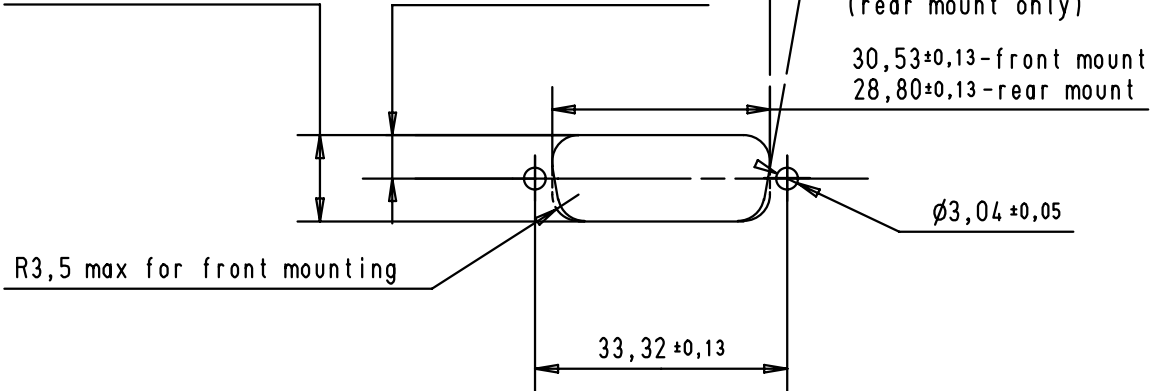
5 4 3 2 1

RECOMMENDED PANEL CUTOUT DIMENSIONS





13,03±0,13-front mount
11,4±0,13-rear mount

6,52±0,13-front mount
5,71±0,13-rear mount



1.27 mm pitch flat cable stranded, wire sizes : AWG 26 to 28

A	09 66 228 7700	15	3								 All Dim. in mm Orig. Size DIN A 4	D-Sub male connector Insulation displacement termination through holes fixing	Maßstab/ Scale 1 : 1
	09 66 228 6700	15	2				Detail.	03-JUL-01	SH				
	09 66 228 5700	15	0.76 µm Au				Insp.						
					29771	16-APR-02	CV	Stand.					
					29756	19-MAR-02	CV						
	part number	No of contact	performance level		29692	03-JUL-01	SH	HARTING ELEKTRONIK F-95972 Paris			TB 0966 228 x700 Sub.	Blatt/ Page 1 /	
				Mod.	Dat.	Name							