

5

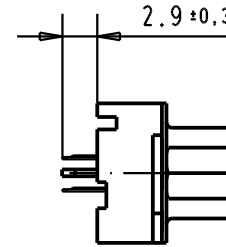
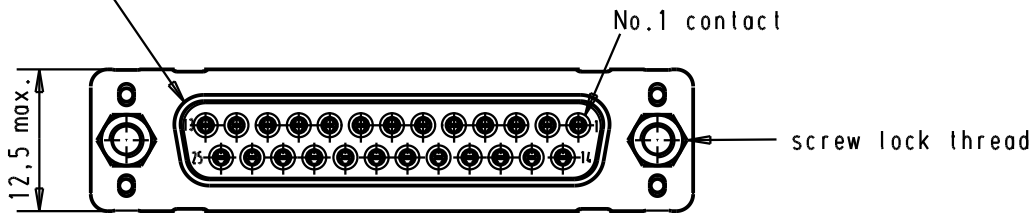
4

3

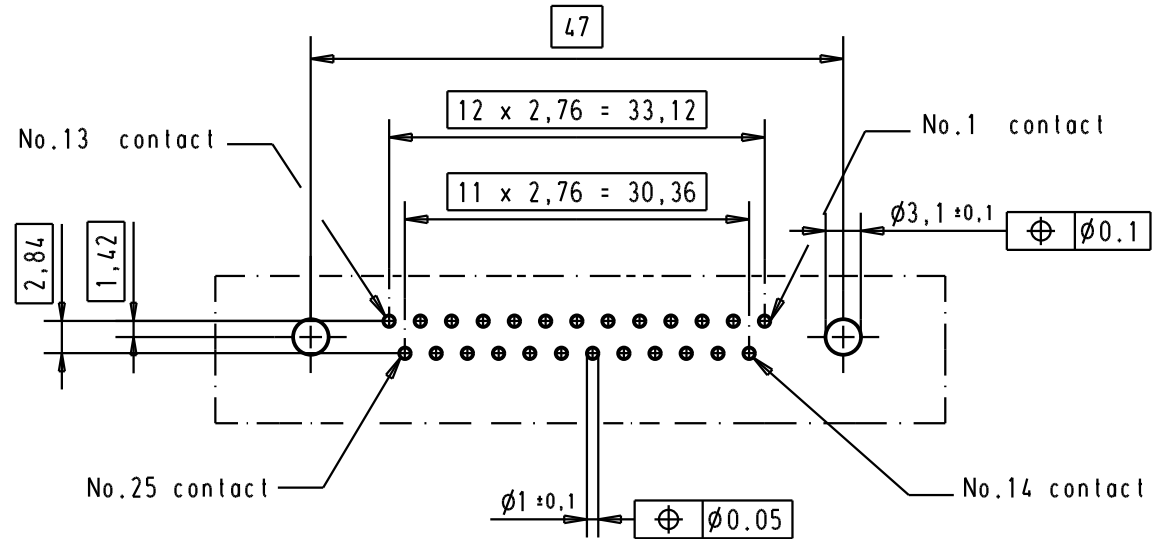
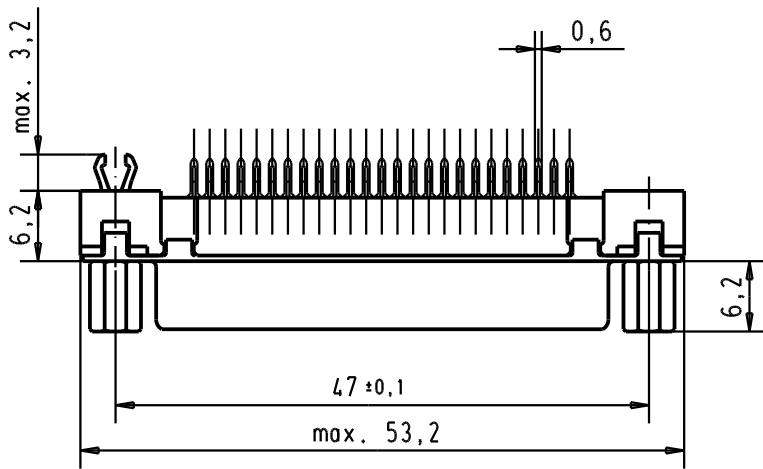
2

1



Mating face according to : MIL-C24308 / DIN 41652 / CECC 75301-802



Printed board layout
component side
PTH's plating = tin lead



Connector retention and insertion forces on the PCB = 25 / 80 newtons

A	09 66 351 3533	M3	1							 All Dim. in mm Orig. Size DIN A 4	D-sub, 25 poles, female, straight, with solder pins 2.9, screw lock and grounding board lock	Maßstab/ Scale 1,5:1			
	09 66 351 6533	M3	2					Det.	07-FEB-02				JB		
	09 66 351 7533	M3	3					Insp.							
	09 66 351 3513	4-40 UNC	1					Stand.							
	09 66 351 6513	4-40 UNC	2	31892	05/05/04	JH	HARTING EUROL F-95972 Paris							TB 09 66 351 x5x3	Blatt/ Page 1 /
	09 66 351 7513	4-40 UNC	3	29746	07-FEB-02	JB									
	Part number	Screw lock thread	Performance level	Mod.	Dat.	Name				Sub.					