

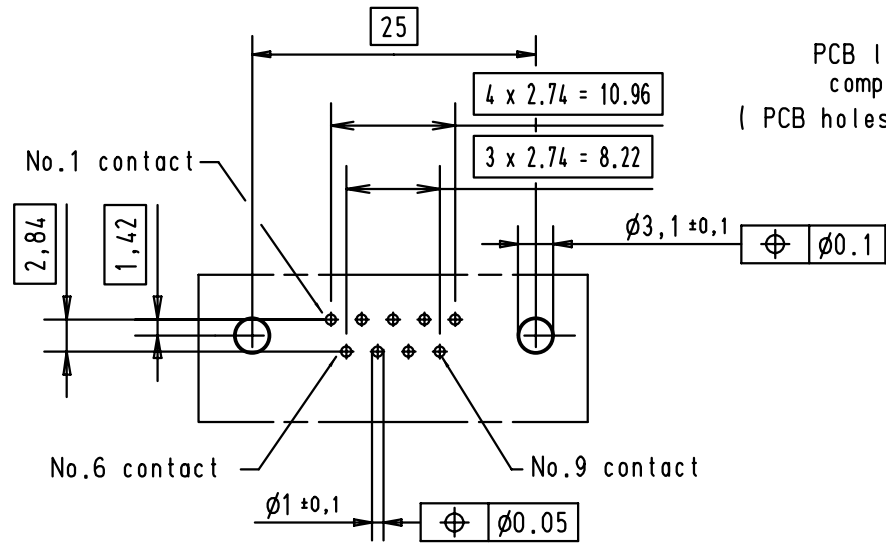
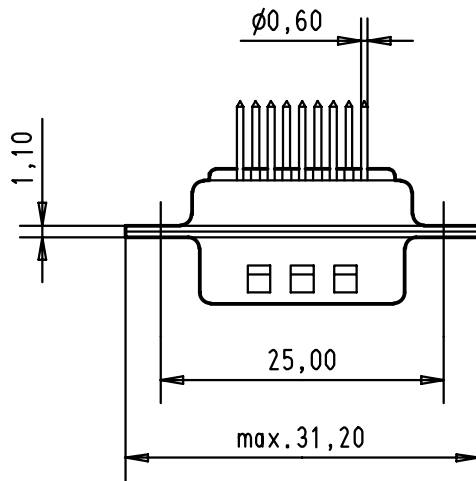
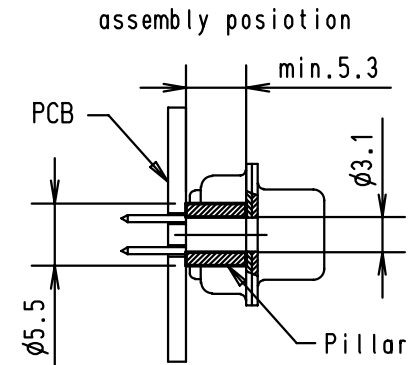
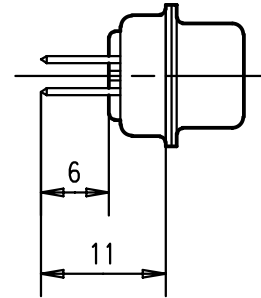
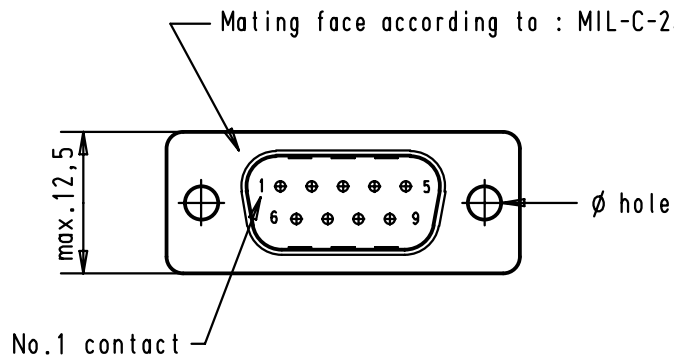
5

4

3

2

1





PCB layout hole component side
(PCB holes plating : Tin)

D

C

B

A

						Detail.	Dat.	Name	 <p>All Dim. in mm Orig. Size DIN A 4</p>	D-Sub, Male, Straight 09 Poles with turned solder contacts and hole	Maßstab/ Scale 1.5:1
					Insp.		jfb				
09 67 009 5655	3.1 ± 0.1	2			Stand.						
09 67 009 5654	3.1 ± 0.1	3	27993	04/04/01	AF	HARTING EURL F-95972 Paris				TB 0967009565x	Blatt/ Page 1 / 1
			27974	07/feb/01	jfb						
Part number	ø hole	Performance level	Mod.	Dat.	Name	Sub.					