

5 4 3 2 1

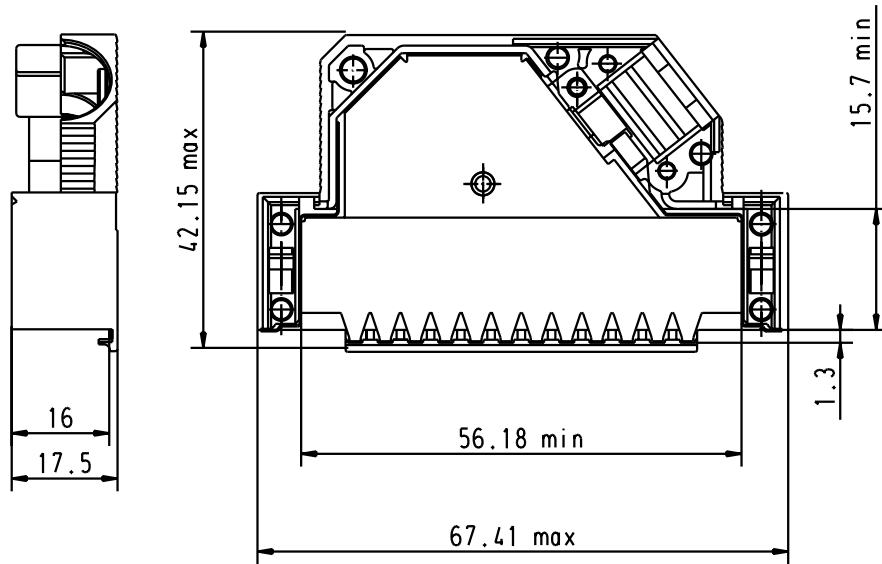
D

C

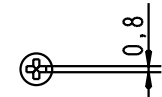
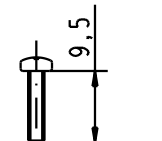
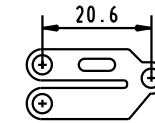
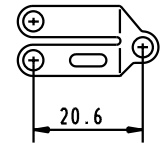
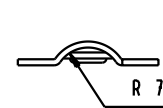
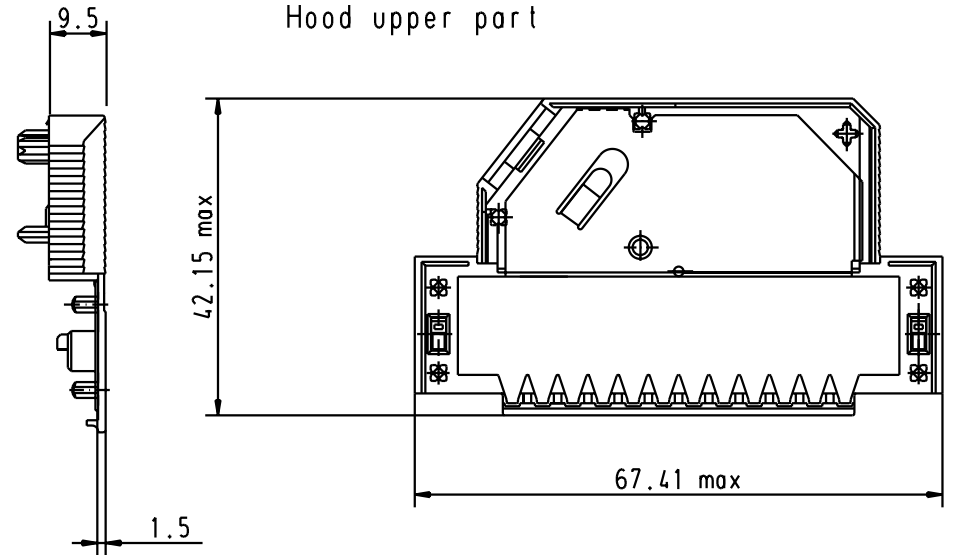
B

A

Hood lower part





Hood upper part



Strain relief 1 Strain relief 2

Flathead screws

				Det.	27/02/03	Name	S.H.	 All Dim. in mm Orig. Size DIN A 4	D-Sub Hoods 50 POLES SHIELDED	Maßstab/ Scale
				Insp.						
				Stand.						
	31392	27/02/03	S.H.	HARTING ELEKTRONIK F-95972 Paris				TB 09 67 050 0573	Blatt/ Page	
	Mod.	Det.	Name					Sub.		