

5

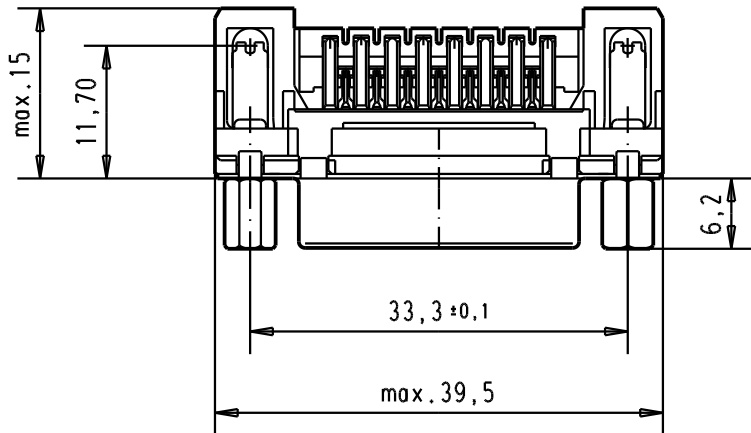
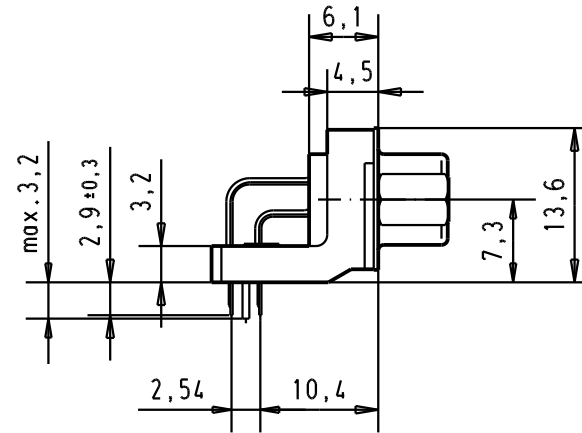
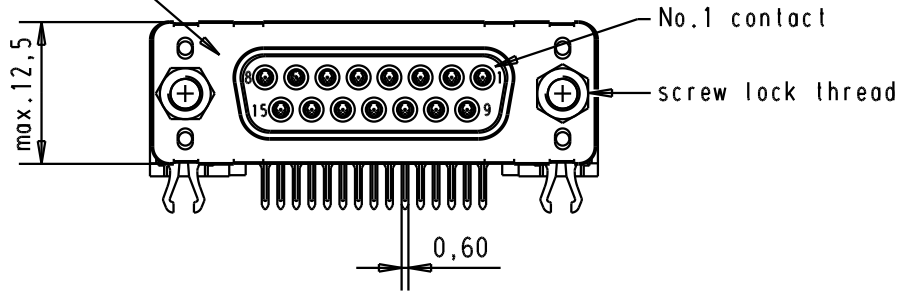
4

3

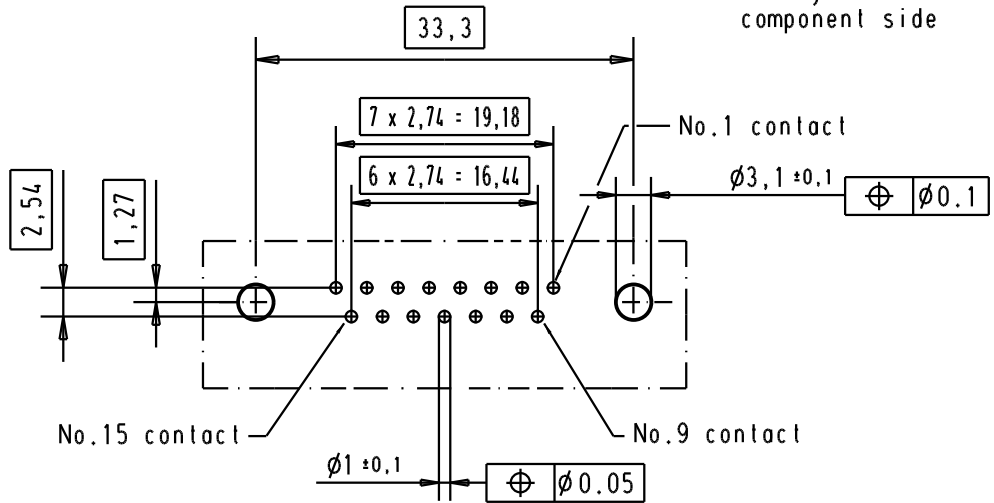
2

1

Mating face according to : MIL-C-24308 / DIN 41652 / CECC 75301-802

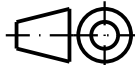



PCB layout hole component side



Connector retention and insertion forces on the PCB = 25 / 80 newtons

A

09 66 252 3633	M3	1								 All Dim. in mm Orig. Size DIN A 4	D-Sub 15 poles standard angle female, solder pin with screw lock and grounding board lock.	Maßstab/ Scale 1.5:1
09 66 252 6633	M3	2				Detail.	4-SEP-02	YT				
09 66 252 7633	M3	3				Insp.						
09 66 252 3613	4-40 UNC	1				Stand.						
09 66 252 6613	4-40 UNC	2	31892	05/05/04	JH	HARTING EURL F-95972 Paris				TB 0966252x6x3	Blatt/ Page 1 / 1	
09 66 252 7613	4-40 UNC	3	31084	4-SEP-02	YT							
Part number	Screw lock thread	Performance level	Mod.	Dat.	Name				Sub.			