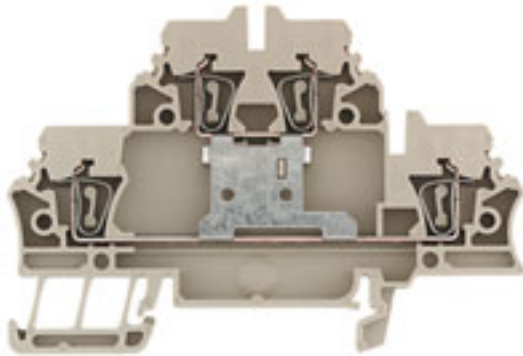


**Z terminal with tension spring connection
ZDK 2.5V**

Weidmüller Interface GmbH & Co. KG
Klingenbergstraße 16
D-32758 Detmold
Germany
Fon: +49 5231 14-0
Fax: +49 5231 14-292083
www.weidmueller.com



Terminal blocks in tension clamp system and the Z Series are specially customised to the customers' requirements. Less space, spacious labelling area, integrated test point, cross-connection functionality within the Z Series and another family of terminals by Weidmüller. Z-Series terminals have a large clamping range and one or two cross-connection slots. Plug-in standard cross-connections enable potentials to be distributed over any number of terminals.

General ordering data

Type	ZDK 2.5V
Order No.	1689990000
Version	Z terminal with tension spring connection, Feed-through terminal, Double-tier terminal, Rated cross-section: 2.5 mm ² , Tension clamp connection, Wemid, Dark Beige
GTIN (EAN)	4008190875459
Qty.	50 pc(s).

Z terminal with tension spring connection ZDK 2.5V

Weidmüller Interface GmbH & Co. KG
 Klingenbergstraße 16
 D-32758 Detmold
 Germany
 Fon: +49 5231 14-0
 Fax: +49 5231 14-292083
 www.weidmueller.com

Technische Daten

Dimensions and weights

Length	79.5 mm	Width	5.1 mm
Height	53 mm	Height of lowest version	54 mm
Net weight	10.56 g		

Temperatures

Operating temperature		Storage temperature	
Continuous operating temp., min.	-50 °C	Continuous operating temp., max.	120 °C

Rated data IECEx/ATEX

Certificate No. (ATEX)	KEMA97ATEX4677U	ATEX certificate	KEMA97ATEX4677U_d.pdf
ATEX certificate	KEMA97ATEX4677U_e.pdf	Max. voltage (ATEX)	440 V
Current (ATEX)	20 A	Wire cross section max. (ATEX)	2.5 mm ²
Voltage, cross-connection		Operating temperature range	For operating temperature range see EC Design Test Certificate / IEC Ex-Certificate of Conformity
	CrossConnectionGuide.pdf		
Marking EN 60079-7	Ex e II	Marking ATEX Directive 94/9/EC	II 2 G D

Additional technical data

Explosion-tested version	Yes	Number of similar terminals	1
Open sides	right	Type of mounting	Snap-on
Version	Tension-clamp connection, Vertically cross-connected, for plug-in cross-connector, One end without connector		

CSA ratings data

Certificate No. (CSA)	12400-367	Voltage size B (CSA)	300 V
Voltage size D (CSA)	300 V	Current size B (CSA)	10 A
Current size D (CSA)	10 A	Wire cross section max. (CSA)	12 AWG
Wire cross section min. (CSA)	26 AWG		

Clampable wires (additional connection)

Conductor cross-section, flexible plus plastic collar DIN 46228/1, further connection, min.	0.5 mm ²	Conductor cross-section, flexible plus plastic collar DIN 46228/1, further connection, max.	2.5 mm ²
---	---------------------	---	---------------------

**Z terminal with tension spring connection
ZDK 2.5V**

Weidmüller Interface GmbH & Co. KG
Klingenbergstraße 16
D-32758 Detmold
Germany
Fon: +49 5231 14-0
Fax: +49 5231 14-292083
www.weidmueller.com

Technische Daten

Clampable wires (rated connection)

Type of connection	Tension clamp connection	Stripping length	10 mm
Blade size	0.6 x 3.5 mm	Connection direction	top
Number of connections	2	Clamping range, rated connection, min.	0.05 mm ²
Clamping range, rated connection, max.	2.5 mm ²	Gauge to IEC 60947-1	A2
Wire connection cross section, solid core, max. rated connection	0.5 mm ²	Wire connection cross section, solid core max. rated connection	2.5 mm ²
Wire connection cross section, finely stranded, max.	2.5 mm ²	Wire connection cross-section, finely stranded, min.	0.5 mm ²
Wire connection cross section, finely stranded with wire-end ferrules DIN 46228/1, rated connection, min.	0.5 mm ²	Wire connection cross section, finely stranded with wire-end ferrules DIN 46228/1, rated connection, max.	2.5 mm ²
Cross-section for connected conductor, finely stranded with wire-end ferrules and plastic collars DIN 46228/4, rated connection, min.	0.5 mm ²	Wire connection cross-section, finely stranded with wire-end ferrules and plastic collars DIN 46228/4, rated connection, max.	2.5 mm ²
Wire connection cross section AWG, min.	AWG 26	Wire connection cross section AWG, max.	AWG 12

Rated data

Rated cross-section	2.5 mm ²	Rated voltage	500 V
Rated impulse withstand voltage	6 kV	Rated current	20 A
Current at maximum wires	20 A	Standards	IEC 60947-7-1
Pollution severity	3		

Material data

Insulating material	Wemid	Material	Wemid
Colour	Beige	UL 94 flammability rating	V-0

System specifications

Product family	Z terminal with tension spring connection	Type of connection	Tension clamp connection
Connection direction	top	Number of levels	2
Number of connections	2	No. of clamping points per level	2
Levels cross-connected internally	Yes	Mounting rail	TS 35
End cover plate required	Yes		

Classifications

ETIM 3.0	EC000897	UNSPSC	30-21-18-01
eClass 5.1	27-14-11-18	eClass 6.2	27-14-11-27
eClass 7.1	27-14-11-27		

Product information

Descriptive text technical data	2.5 mm ² flexible wires with wire-end ferrules are crimped with the Weidmüller PZ 6/5 crimping tool.
---------------------------------	---

Datenblatt

**Z terminal with tension spring connection
ZDK 2.5V**

Weidmüller Interface GmbH & Co. KG
Klingenbergstraße 16
D-32758 Detmold
Germany
Fon: +49 5231 14-0
Fax: +49 5231 14-292083
www.weidmueller.com

Technische Daten

Approvals

Approvals



ROHS

Conform