

# Electronic housing - ME 35 UT BUS/10 GN - 2853640

Please be informed that the data shown in this PDF Document is generated from our Online Catalog. Please find the complete data in the user's documentation. Our General Terms of Use for Downloads are valid (<http://download.phoenixcontact.com>)



Housing base, 10-position integrated cross connector for parallel through contacting

## Product Features

- 2 optional serial contacts (daisy chain)
- Gold contacts for data transmission and power supply (125 V, 8 A)
- Can be snapped onto standard NS 35/7,5 and NS 35/15 DIN rails
- Supply via standard MINI COMBICON plug

## Key commercial data

package_quantity	10
GTIN	4017918174385

## Technical data

### General

Housing type	Component housing
Housing material	Polyamide
Color	green

### Ambient conditions

Ambient temperature (operation)	-40 °C ... 105 °C
---------------------------------	-------------------

### Dimensions

Length	99 mm
Constructional height	114.5 mm
Width	35 mm

### Technical data

Connection in acc. with standard	CUL
Nominal voltage $U_N$	300 V
Nominal current $I_N$	8 A
Indicator1	CUL1
Inflammability class according to UL 94	V0
Power dissipation at 20°C in the horizontal mounting position	7.9 W 16.3 W
Number of positions	24

# Electronic housing - ME 35 UT BUS/10 GN - 2853640

## classifications

### eCl@ss

eCl@ss 4.0	27180401
eCl@ss 4.1	27180401
eCl@ss 5.0	27180506
eCl@ss 5.1	27180506
eCl@ss 6.0	27180802
eCl@ss 7.0	27182702
eCl@ss 8.0	27182702

### ETIM

ETIM 2.0	EC001031
ETIM 3.0	EC001031
ETIM 4.0	EC001031
ETIM 5.0	EC001031

### UNSPSC

UNSPSC 6.01	31261501
UNSPSC 7.0901	31261501
UNSPSC 11	31261501
UNSPSC 12.01	31261501
UNSPSC 13.2	31261501

## approvals

UL Recognized / cUL Recognized / cULus Recognized /

### Approval details

UL Recognized
---------------

cUL Recognized		
Usegroups	B	D
Nominal voltage UN	300 V	300 V
Nominal current IN	8 A	8 A
mm <sup>2</sup> /AWG/kcmil		

cULus Recognized
------------------

## Electronic housing - ME 35 UT BUS/10 GN - 2853640

accessories

### Coding element

CR-MSTB - 1734401



CP-MSTB - 1734634



### Mounting material

ME-SAS - 2853899



ME DH27 NS 35 - 2908760



### Filler plug

ME B-KA - 2854173



## Electronic housing - ME 35 UT BUS/10 GN - 2853640

### accessories

ME B-17,5 MSTBO GN - 2906869



ME B-17,5 MKDSO GN - 2906885



ME B-SA/NS 35 - 2935959



ME B-17,5 MKDSO GN - 2906885



ME B-17,5 MSTBO GN - 2906869



ME B-SA/NS 35 - 2935959



## Electronic housing - ME 35 UT BUS/10 GN - 2853640

accessories

---

ME B-KA - 2854173



**Printed circuit board housing**

---

MSTBO 2,5/ 3-G1R - 1861031



**PCB plug**

---

FKCT 2,5/ 3-ST - 1909223



accessories

---

MCVR 1,5/10-ST-3,81 AU - 1893216



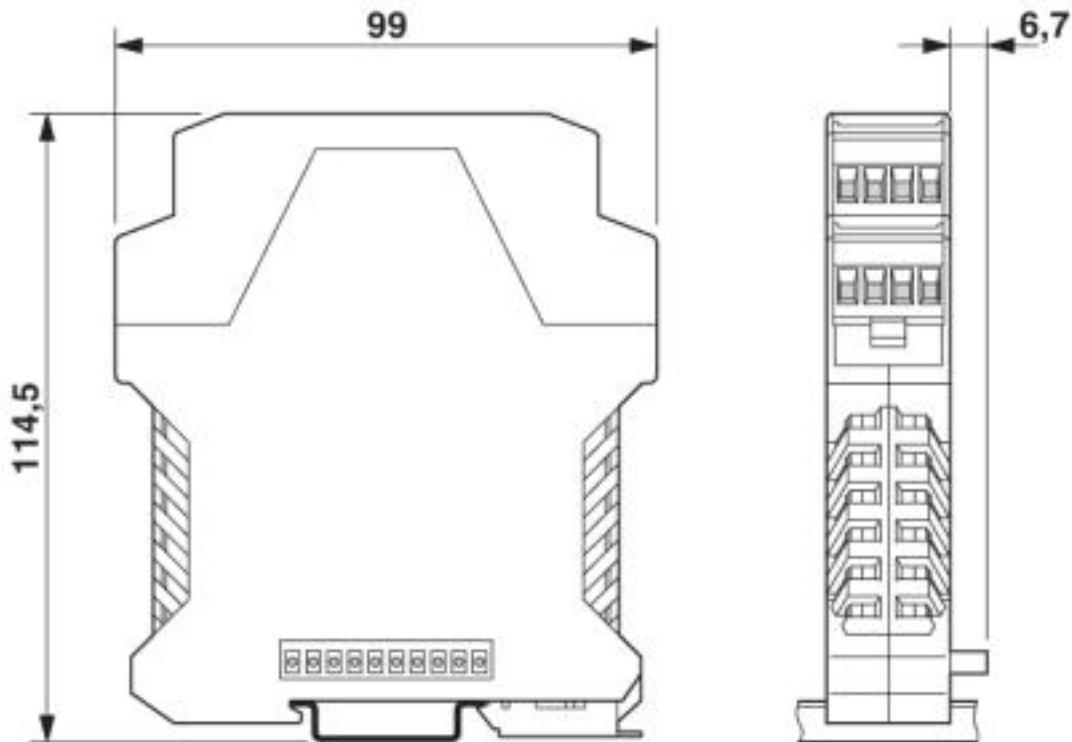
Drawings

---



# Electronic housing - ME 35 UT BUS/10 GN - 2853640

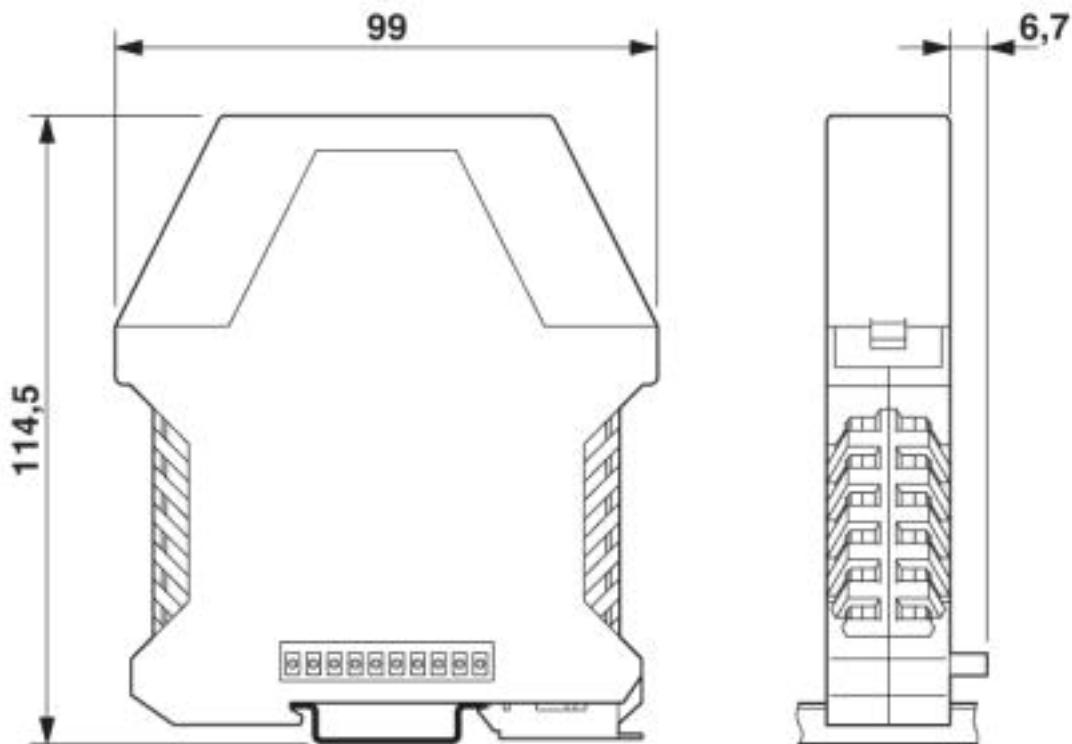
Dimensioned drawing



Dimensions of the electronics housing ME.../BUS 5 and ME.../BUS 10 with double-level upper part

# Electronic housing - ME 35 UT BUS/10 GN - 2853640

Dimensioned drawing

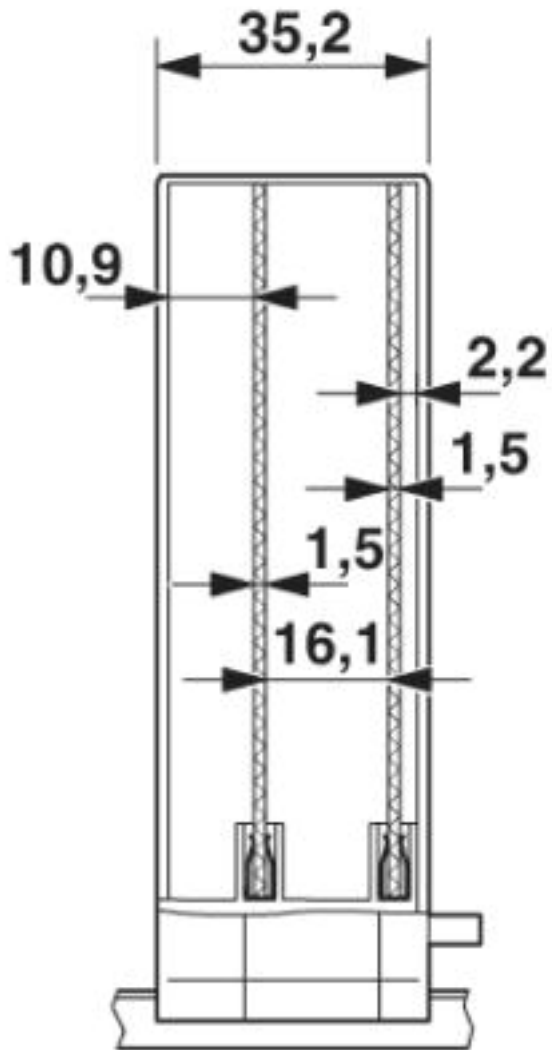


Dimensions of the electronics housing ME.../BUS 5 and ME.../BUS 10 with triple-level upper part



# Electronic housing - ME 35 UT BUS/10 GN - 2853640

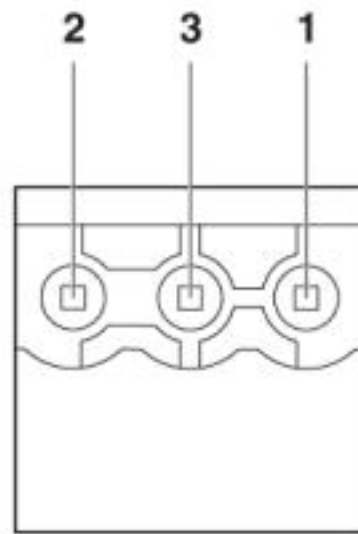
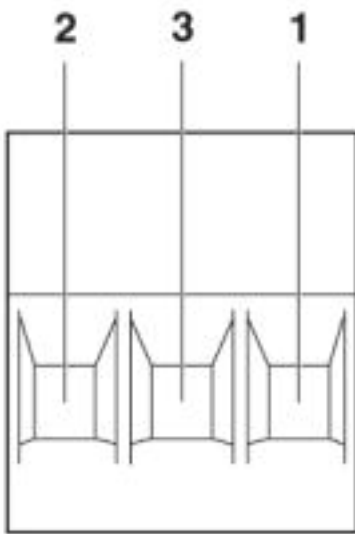
Dimensioned drawing



Internal housing dimensions, electronics housing ME 35 BUS...

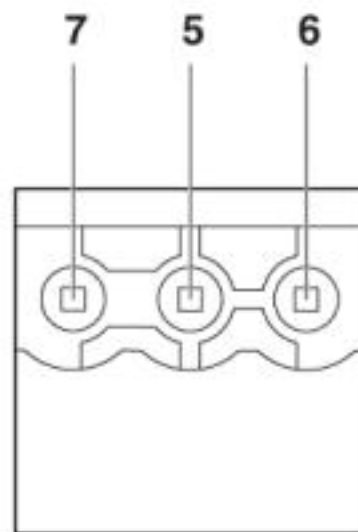
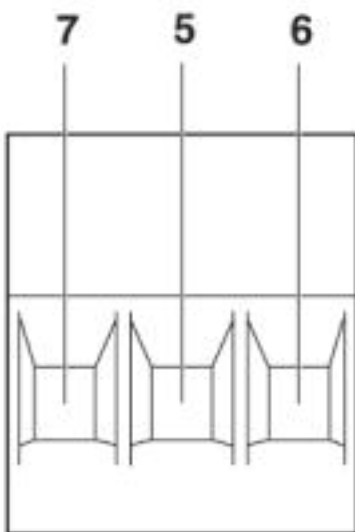
# Electronic housing - ME 35 UT BUS/10 GN - 2853640

Schematic diagram



Pin assignment left

Schematic diagram



Pin assignment right