

# D-SUB bus connector - SUBCON 25/F-SH - 2761619

Please be informed that the data shown in this PDF Document is generated from our Online Catalog. Please find the complete data in the user's documentation. Our General Terms of Use for Downloads are valid (<http://download.phoenixcontact.com>)



D-SUB connector, 25-pos. female connector, one cable entry < 35°, universal type for all systems, pin assignment: 1, 2, 3, ..., 24, 25 to screw connection terminal block

The illustration shows version SUBCON 9/M-SH

## Product Features

- Easy assembly thanks to knurled screws
- Assembly under field conditions
- High level of EMC
- Flexibility in terms of cable entry selection
- For universal use

## Key commercial data

<b>package_quantity</b>	1
<b>GTIN</b>	4017918107987

## Technical data

### Dimensions

<b>Max. cable diameter</b>	10 mm
<b>Min. cable diameter</b>	4 mm
<b>Width</b>	16 mm
<b>Height</b>	49.5 mm
<b>Length</b>	78.7 mm

### Ambient conditions

<b>Ambient temperature (operation)</b>	-20 °C ... 75 °C
<b>Ambient temperature (storage/transport)</b>	-25 °C ... 80 °C
<b>Altitude</b>	5000 m (For restrictions see manufacturer's declaration)

### General

<b>Nominal voltage U<sub>N</sub></b>	50 V
<b>Nominal current I<sub>N</sub></b>	100 mA
<b>Signal</b>	Modbus
<b>Signal</b>	RS-232
<b>Signal</b>	RS-422
<b>Signal</b>	RS-485

## D-SUB bus connector - SUBCON 25/F-SH - 2761619

### Technical data

#### General

Insertion/withdrawal cycles	> 200
SUBCON fixing screws	4-40 UNC
Tightening torque	0.4 Nm
Housing material	ABS, metal-plated
Pin assignment	All connections are 1:1 on the screw terminal block

#### Connection data

Connection	D-SUB connection
Number of positions	25
Connection method	D-SUB socket
Connection	PCB connection
Connection method	Screw connection
Conductor cross section stranded min.	0.14 mm <sup>2</sup>
Conductor cross section stranded max.	1 mm <sup>2</sup>
Conductor cross section solid min.	0.14 mm <sup>2</sup>
Conductor cross section solid max.	1.5 mm <sup>2</sup>
Min. AWG conductor cross section, stranded	26
Max. AWG conductor cross section, stranded	18
Conductor cross section AWG/kcmil min.	26
Conductor cross section AWG/kcmil max	16
Stripping length	5 mm
Tightening torque	0.4 Nm

### classifications

#### eCl@ss

eCl@ss 4.0	27140816
eCl@ss 4.1	27140816
eCl@ss 5.0	27143424
eCl@ss 5.1	27143424
eCl@ss 6.0	27143424
eCl@ss 7.0	27440209
eCl@ss 8.0	27440209

#### ETIM

ETIM 2.0	EC001132
ETIM 3.0	EC001132
ETIM 4.0	EC001132
ETIM 5.0	EC001132

#### UNSPSC

UNSPSC 6.01	30211802
UNSPSC 7.0901	39121402

# D-SUB bus connector - SUBCON 25/F-SH - 2761619

## classifications

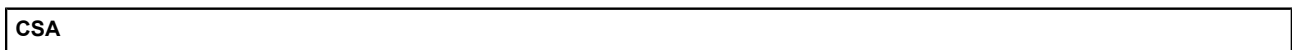
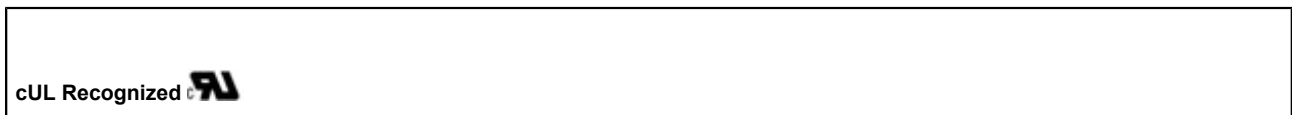
### UNSPSC

UNSPSC 11	39121402
UNSPSC 12.01	39121402
UNSPSC 13.2	39121402

## approvals

UL Recognized / cUL Recognized / GOST / CSA / cULus Recognized /

### Approval details



## accessories

### Mounting material

SUBCON-SHORT-SCREW - 2799694



### Screwdriver tools

## D-SUB bus connector - SUBCON 25/F-SH - 2761619

### accessories

SZF 0-0,4X2,5 - 1204504



---

### Data plug

SUBCON 25/M-SH - 2761622

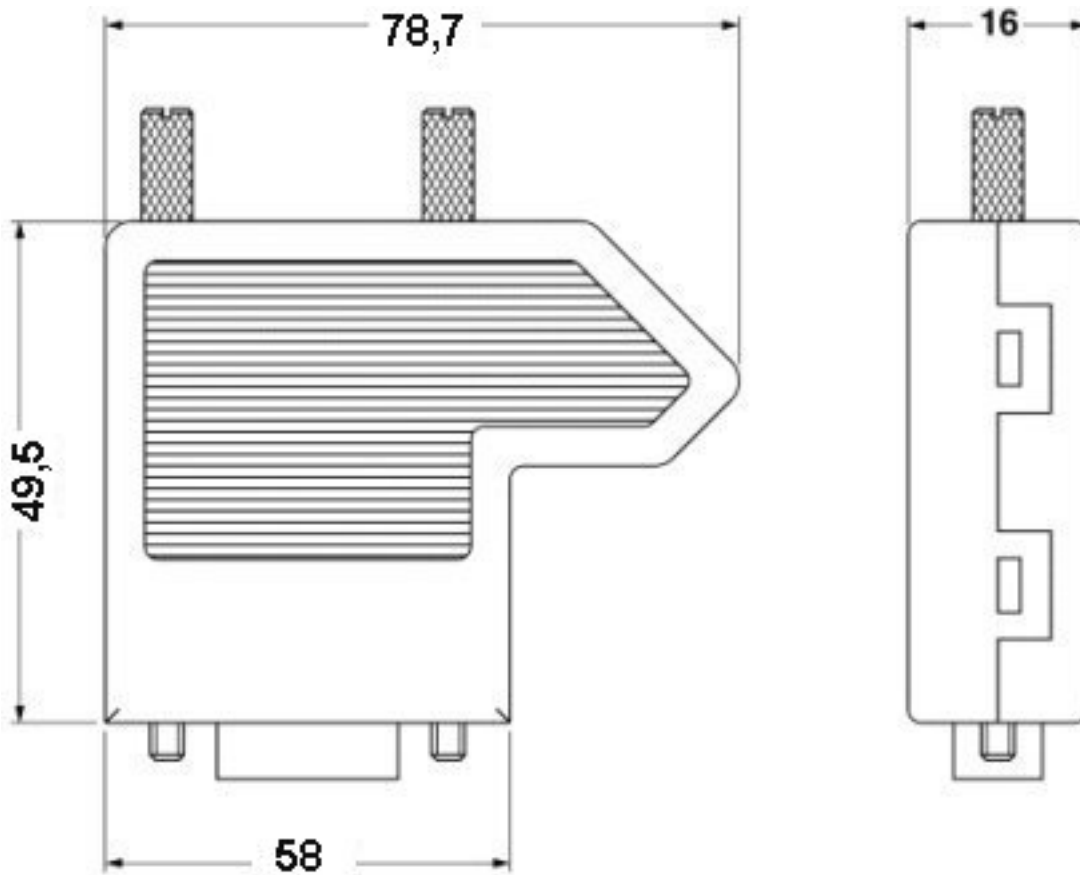


---

### Drawings

## D-SUB bus connector - SUBCON 25/F-SH - 2761619

Dimensioned drawing



© Phoenix Contact 2013 - all rights reserved  
<http://www.phoenixcontact.com>