

D-SUB bus connector - SUBCON-PLUS M1 - 2761826

Please be informed that the data shown in this PDF Document is generated from our Online Catalog. Please find the complete data in the user's documentation. Our General Terms of Use for Downloads are valid (<http://download.phoenixcontact.com>)



D-SUB connector, 9-pos., male connector, two cable entries < 35°, bus system: Modbus, Modbus Plus, BITBUS, ARCNET, MULT/MININET (B&R), SYSTEM 2003 (B&R), P-NET, pin assignment: 1, 2, 3, 5, 6, 8 to two screw connection terminal blocks

The illustration shows version SUBCON-PLUS M 2

Product Features

- Separate terminal blocks for each cable
- Easy assembly thanks to knurled screws
- High level of EMC
- Flexibility in terms of cable entry selection
- For universal use
- High transmission speed
- Assembly under field conditions

RS-485

Key commercial data

| | |
|------------------|---------------|
| package_quantity | 1 |
| GTIN | 4017918131821 |

Technical data

Dimensions

| | |
|---------------------|-------|
| Max. cable diameter | 10 mm |
| Min. cable diameter | 6 mm |
| Width | 16 mm |
| Height | 44 mm |
| Length | 60 mm |

Ambient conditions

| | |
|---|--|
| Ambient temperature (operation) | -20 °C ... 75 °C |
| Ambient temperature (storage/transport) | -25 °C ... 80 °C |
| Altitude | 5000 m (For restrictions see manufacturer's declaration) |

General

| | |
|-----------------------|--------|
| Nominal voltage U_N | 50 V |
| Nominal current I_N | 100 mA |

D-SUB bus connector - SUBCON-PLUS M1 - 2761826

Technical data

General

| | |
|------------------------------------|---|
| Bus system | MODBUS, MODBUS-PLUS, BITBUS, ARCNET, MULT/MININET (B&R), SYSTEM 2003 (B&R), P-NET |
| Signal | RS-485 |
| Insertion/withdrawal cycles | > 200 |
| SUBCON fixing screws | 4-40 UNC |
| Tightening torque | 0.4 Nm |
| Housing material | ABS, metal-plated |
| Pin assignment | 1,2,3,5,6,8 on two terminal blocks |

Connection data

| | |
|---|----------------------|
| Connection | D-SUB connection |
| Number of positions | 9 |
| Connection method | D-SUB connector |
| Tightening torque | 0.4 Nm |
| Connection | PCB connection |
| Connection method | Screw connection |
| Conductor cross section stranded min. | 0.14 mm ² |
| Conductor cross section stranded max. | 1 mm ² |
| Conductor cross section solid min. | 0.14 mm ² |
| Conductor cross section solid max. | 1.5 mm ² |
| Min. AWG conductor cross section, stranded | 26 |
| Max. AWG conductor cross section, stranded | 18 |
| Conductor cross section AWG/kcmil min. | 26 |
| Conductor cross section AWG/kcmil max | 16 |
| Stripping length | 5 mm |
| Tightening torque | 0.4 Nm |

classifications

eCl@ss

| | |
|-------------------|----------|
| eCl@ss 4.0 | 27140816 |
| eCl@ss 4.1 | 27140816 |
| eCl@ss 5.0 | 27143424 |
| eCl@ss 5.1 | 27143424 |
| eCl@ss 6.0 | 27143424 |
| eCl@ss 7.0 | 27440209 |
| eCl@ss 8.0 | 27440209 |

ETIM

| | |
|-----------------|----------|
| ETIM 2.0 | EC001132 |
| ETIM 3.0 | EC001132 |
| ETIM 4.0 | EC001132 |
| ETIM 5.0 | EC001132 |

D-SUB bus connector - SUBCON-PLUS M1 - 2761826

classifications

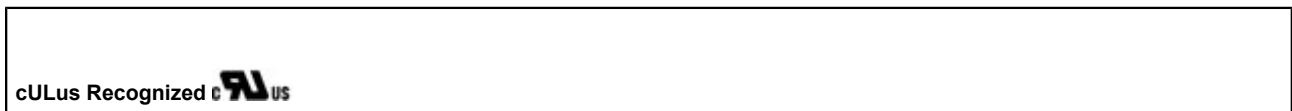
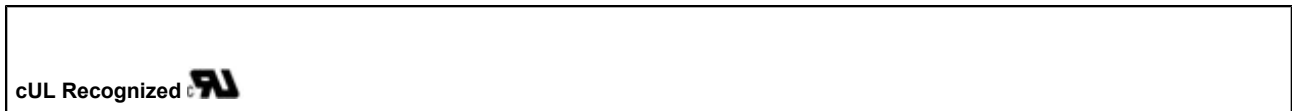
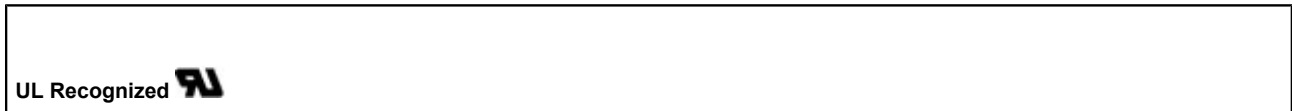
UNSPSC

| | |
|---------------|----------|
| UNSPSC 6.01 | 30211802 |
| UNSPSC 7.0901 | 39121402 |
| UNSPSC 11 | 39121402 |
| UNSPSC 12.01 | 39121402 |
| UNSPSC 13.2 | 39121402 |

approvals

UL Recognized / cUL Recognized / GOST / cULus Recognized /

Approval details



accessories

Mounting material

SUBCON-SHORT-SCREW - 2799694



Screwdriver tools

D-SUB bus connector - SUBCON-PLUS M1 - 2761826

accessories

SZF 0-0,4X2,5 - 1204504



Data plug

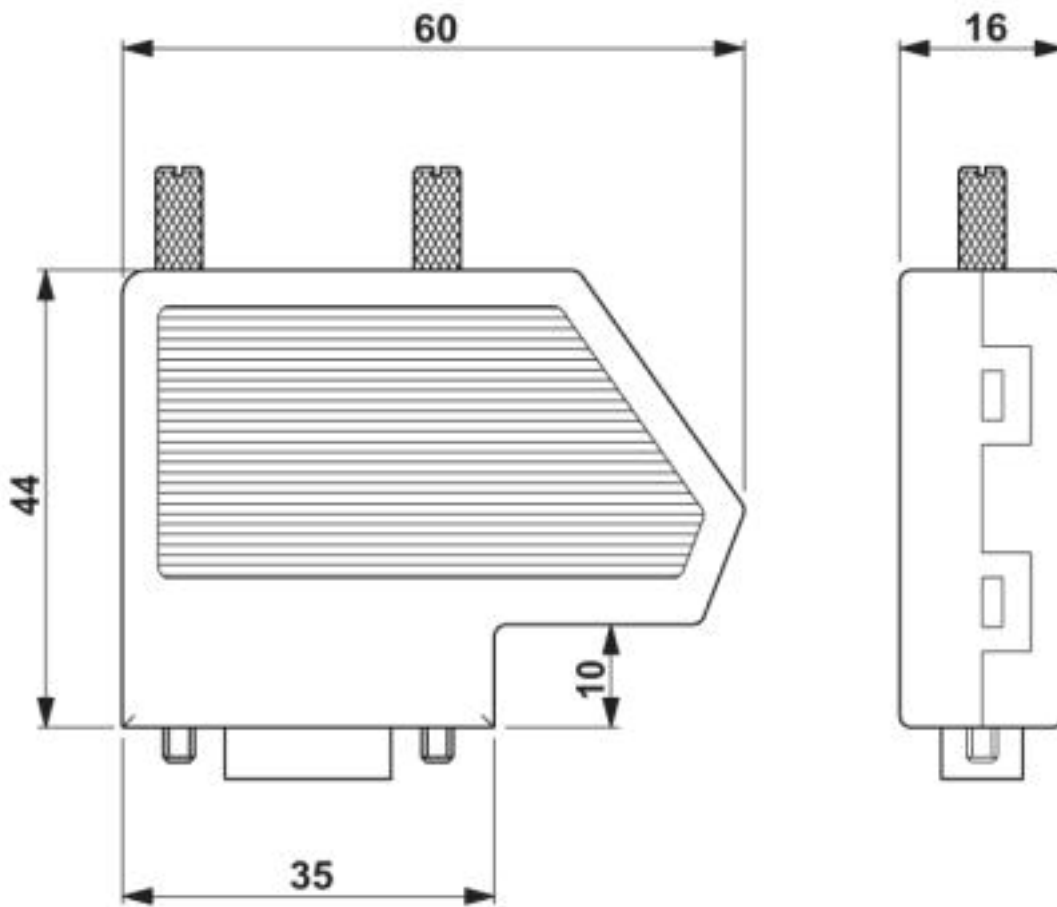
VS-09-GC-BU/BU - 1688722



Drawings

D-SUB bus connector - SUBCON-PLUS M1 - 2761826

Dimensioned drawing



Dimensional drawing SUBCON-PLUS...

© Phoenix Contact 2013 - all rights reserved
<http://www.phoenixcontact.com>