

D-SUB bus connector - SUBCON-PLUS F1 - 2744267

Please be informed that the data shown in this PDF Document is generated from our Online Catalog. Please find the complete data in the user's documentation. Our General Terms of Use for Downloads are valid (<http://download.phoenixcontact.com>)



D-SUB connector, 9-pos. female connector, two cable entries < 35°, bus system: Modbus, Modbus Plus, BITBUS, ARCNET, MULT/MININET (B&R), SYSTEM 2003 (B&R), P-NET, pin assignment: 1, 2, 3, 5, 6, 8; screw connection terminal blocks

The illustration shows version SUBCON-PLUS M 2

Product Features

- Separate terminal blocks for each cable
- Easy assembly thanks to knurled screws
- Flexibility in terms of cable entry selection
- High level of EMC
- Assembly under field conditions
- High transmission speed
- For universal use

RS-485

Key commercial data

package_quantity	1
GTIN	4017918170783

Technical data

Dimensions

Max. cable diameter	10 mm
Min. cable diameter	6 mm
Width	16 mm
Height	44 mm
Length	60 mm

Ambient conditions

Ambient temperature (operation)	-20 °C ... 75 °C
Ambient temperature (storage/transport)	-25 °C ... 80 °C
Altitude	5000 m (For restrictions see manufacturer's declaration)

General

Nominal voltage U_N	50 V
Nominal current I_N	100 mA

D-SUB bus connector - SUBCON-PLUS F1 - 2744267

Technical data

General

Bus system	MODBUS, MODBUS-PLUS, BITBUS, ARCNET, MULT/MININET (B&R), SYSTEM 2003 (B&R), P-NET
Signal	RS-485
Insertion/withdrawal cycles	> 200
SUBCON fixing screws	4-40 UNC
Tightening torque	0.4 Nm
Housing material	ABS, metal-plated
Pin assignment	1,2,3,5,6,8 on two terminal blocks

Connection data

Connection	D-SUB connection
Number of positions	9
Connection method	D-SUB socket
Tightening torque	0.4 Nm
Connection	PCB connection
Connection method	Screw connection
Conductor cross section stranded min.	0.14 mm ²
Conductor cross section stranded max.	1 mm ²
Conductor cross section solid min.	0.14 mm ²
Conductor cross section solid max.	1.5 mm ²
Min. AWG conductor cross section, stranded	26
Max. AWG conductor cross section, stranded	18
Conductor cross section AWG/kcmil min.	26
Conductor cross section AWG/kcmil max	16
Stripping length	5 mm
Tightening torque	0.4 Nm

classifications

eCl@ss

eCl@ss 4.0	27140816
eCl@ss 4.1	27140816
eCl@ss 5.0	27143424
eCl@ss 5.1	27143424
eCl@ss 6.0	27143424
eCl@ss 7.0	27440209
eCl@ss 8.0	27440209

ETIM

ETIM 2.0	EC001132
ETIM 3.0	EC001132
ETIM 4.0	EC001132
ETIM 5.0	EC001132

D-SUB bus connector - SUBCON-PLUS F1 - 2744267

classifications

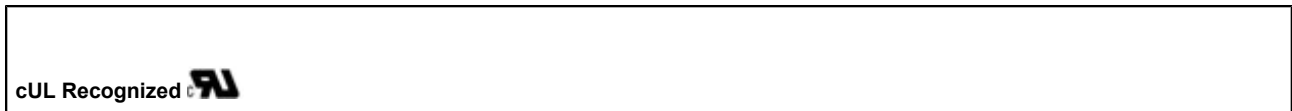
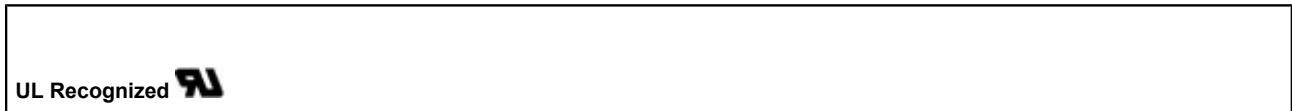
UNSPSC

UNSPSC 6.01	30211802
UNSPSC 7.0901	39121402
UNSPSC 11	39121402
UNSPSC 12.01	39121402
UNSPSC 13.2	39121402

approvals

UL Recognized / cUL Recognized / GOST / cULus Recognized /

Approval details



accessories

Mounting material

SUBCON-SHORT-SCREW - 2799694



Screwdriver tools

D-SUB bus connector - SUBCON-PLUS F1 - 2744267

accessories

SZF 0-0,4X2,5 - 1204504



Data plug

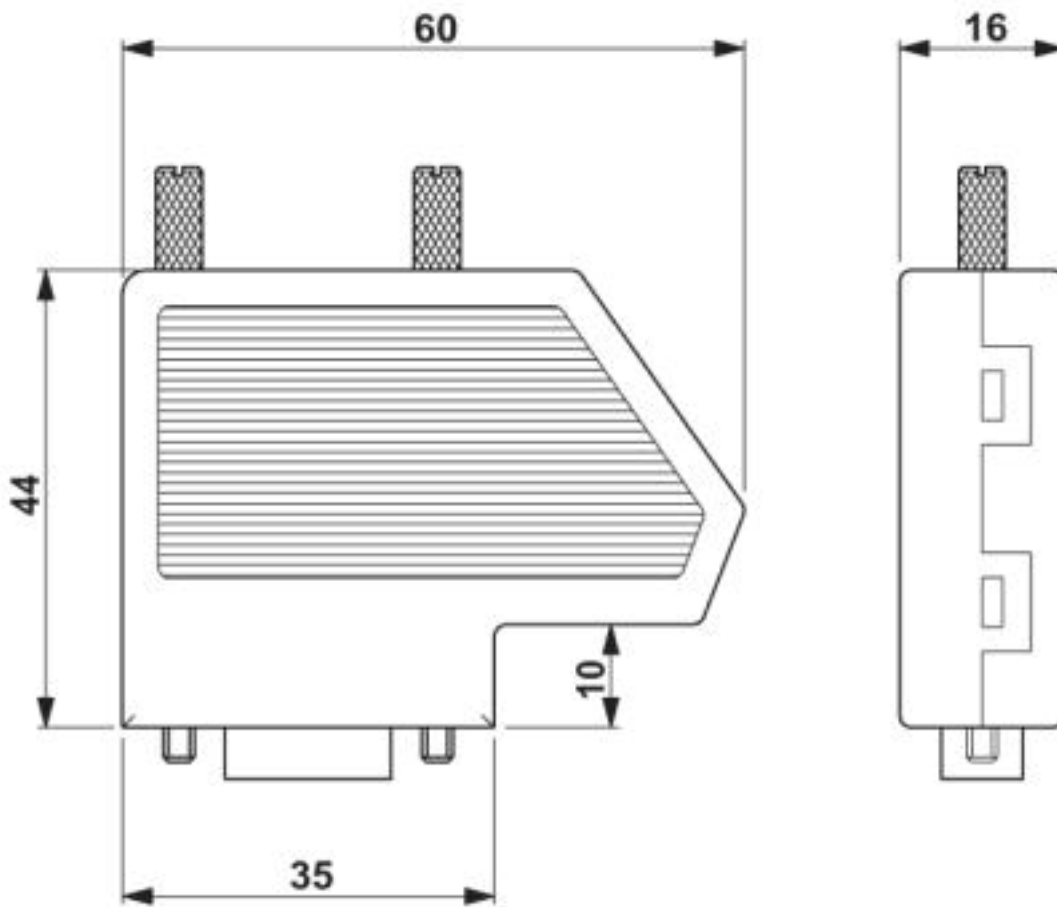
VS-09-GC-ST/ST - 1652651



Drawings

D-SUB bus connector - SUBCON-PLUS F1 - 2744267

Dimensioned drawing



© Phoenix Contact 2013 - all rights reserved
<http://www.phoenixcontact.com>