

Signal conditioner - MCR-C-I-I-00-DC - 2814508

Please be informed that the data shown in this PDF Document is generated from our Online Catalog. Please find the complete data in the user's documentation. Our General Terms of Use for Downloads are valid (<http://download.phoenixcontact.com>)



MCR 3-way isolating amplifier, for electrical isolation of analog signals, input signal: 0(4) ... 20 mA, output signal: 0(4) ... 20 mA

Product Features

- Fixed setting of input and output signals
- Processing of standard signals
- 3-way isolation



Key commercial data

| | |
|-------------------------|---------------|
| package_quantity | 5 |
| GTIN | 4017918156190 |

Technical data

Note:

| | |
|--------------------------------|---|
| Utilization restriction | EMC: class A product, see manufacturer's declaration in the download area |
|--------------------------------|---|

Dimensions

| | |
|---------------|----------|
| Width | 12.5 mm |
| Height | 99 mm |
| Depth | 114.5 mm |

Ambient conditions

| | |
|--|------------------|
| Ambient temperature (operation) | -25 °C ... 60 °C |
|--|------------------|

Input data

| | |
|---------------------------------------|----------------|
| Description of the input | Current input |
| Configurable/programmable | No |
| Current input signal | 0 mA ... 20 mA |
| Current input signal | 4 mA ... 20 mA |
| Max. input current | 50 mA |
| Input resistance current input | 50 Ω |

Output data

| | |
|--------------------|----------------|
| Output name | Current output |
|--------------------|----------------|

Signal conditioner - MCR-C-I-I-00-DC - 2814508

Technical data

Output data

| | |
|--|----------------|
| Configurable/programmable | No |
| Current output signal | 0 mA ... 20 mA |
| Current output signal | 4 mA ... 20 mA |
| Max. output current | 30 mA |
| Load/output load current output | ≤ 500 Ω |
| Linear transmission range (in reference to the output range end value) | 0 % ... 105 % |

Power supply

| | |
|-----------------------------|------------------------|
| Supply voltage range | 20 V DC ... 30 V DC |
| Typical current consumption | < 15 mA (without load) |

Connection data

| | |
|--|----------------------------|
| Connection method | Pluggable screw connection |
| Conductor cross section solid min. | 0.2 mm ² |
| Conductor cross section solid max. | 2.5 mm ² |
| Conductor cross section stranded min. | 0.2 mm ² |
| Conductor cross section stranded max. | 2.5 mm ² |
| Conductor cross section AWG/kcmil min. | 24 |
| Conductor cross section AWG/kcmil max | 14 |
| Stripping length | 8 mm |
| Screw thread | M3 |

General

| | |
|-----------------------------------|-----------------------------|
| No. of channels | 1 |
| Maximum transmission error | ≤ 0.2 % (of final value) |
| Transmission error, typical | 0.1 % (of final value) |
| Maximum temperature coefficient | < 0.015 %/K |
| Limit frequency (3 dB) | 30 Hz |
| Step response (10-90%) | 11 ms |
| Protective circuit | Transient protection |
| Test voltage, input/output/supply | 1.5 kV (50 Hz, 1 min.) |
| Color | green |
| Housing material | Polyamide PA non-reinforced |
| Mounting position | Any |
| Conformance | CE-compliant |

classifications

eCl@ss

| | |
|------------|----------|
| eCl@ss 4.0 | 27210120 |
| eCl@ss 4.1 | 27210120 |
| eCl@ss 5.0 | 27210120 |
| eCl@ss 5.1 | 27210120 |

Signal conditioner - MCR-C-I-I-00-DC - 2814508

classifications

eCl@ss

| | |
|------------|----------|
| eCl@ss 6.0 | 27210120 |
| eCl@ss 7.0 | 27210120 |
| eCl@ss 8.0 | 27210120 |

ETIM

| | |
|----------|----------|
| ETIM 2.0 | EC001485 |
| ETIM 3.0 | EC001485 |
| ETIM 4.0 | EC001485 |
| ETIM 5.0 | EC001485 |

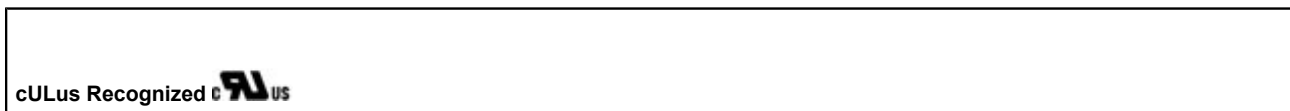
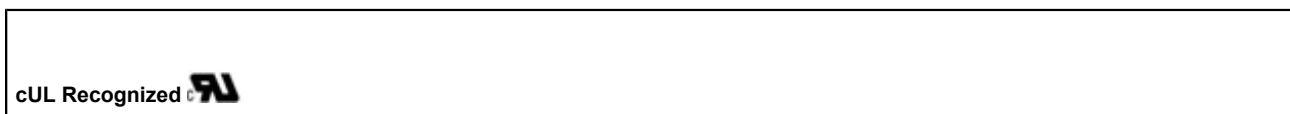
UNSPSC

| | |
|---------------|----------|
| UNSPSC 6.01 | 30211506 |
| UNSPSC 7.0901 | 39121008 |
| UNSPSC 11 | 39121008 |
| UNSPSC 12.01 | 39121008 |
| UNSPSC 13.2 | 39121008 |

approvals

UL Recognized / cUL Recognized / GOST / cULus Recognized /

Approval details



accessories

Bridge

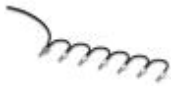
Signal conditioner - MCR-C-I-I-00-DC - 2814508

accessories

DB 50- 90 GY - 2820929



DB 50- 90 BK - 2820916



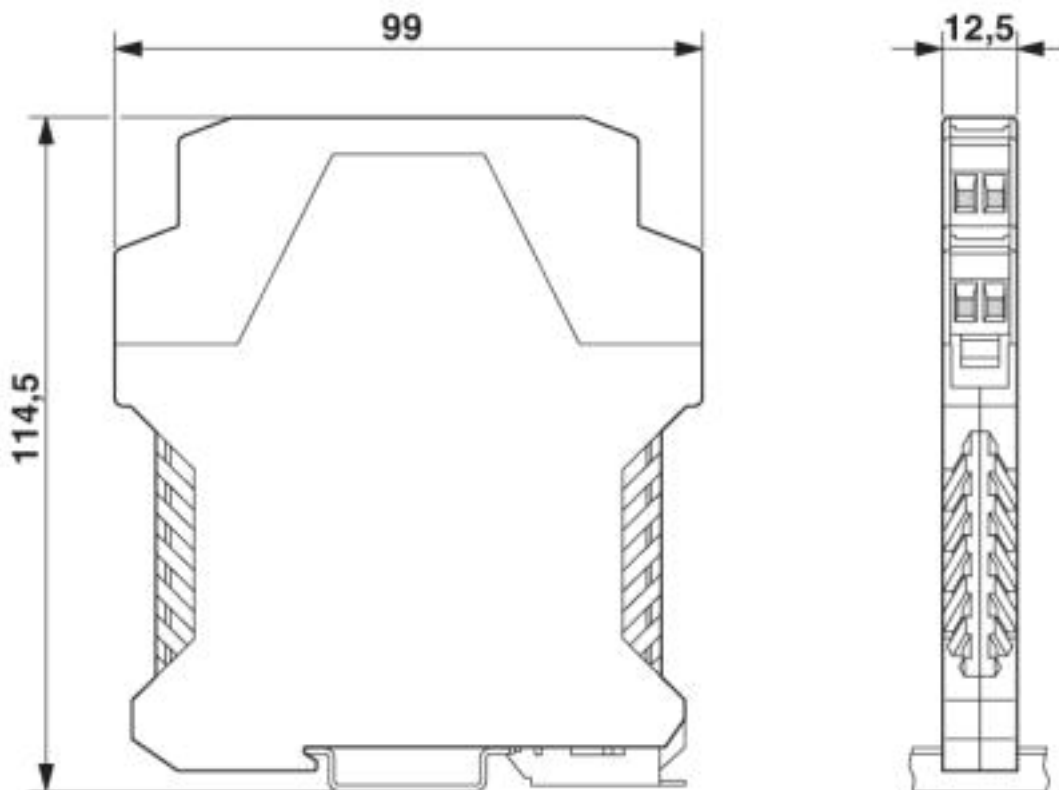
DB 50- 90 BU - 2821180



Drawings

Signal conditioner - MCR-C-I-I-00-DC - 2814508

Dimensioned drawing



Circuit diagram

